



Valves Technical CTS Stop Valves



Features — CPVC

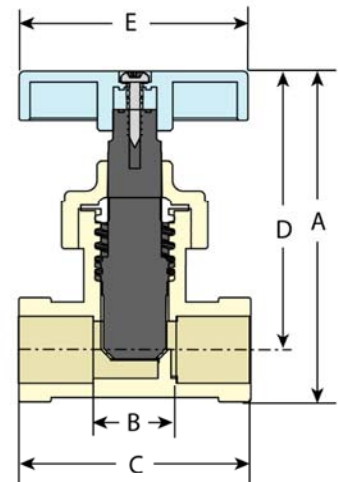
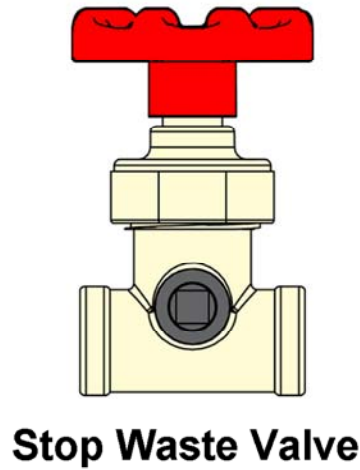
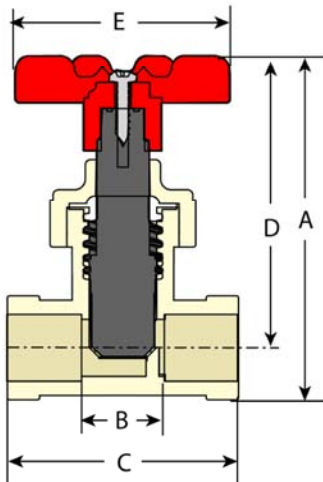
Used at plumbing fixtures to terminate and control hot and cold water, this all-plastic Stop Valves are specially designed for use with CTS (Copper Tube Size) CPVC Hot & Cold Water Distribution Systems. Available in 1/2" and 3/4" socket. (See Selection Chart Below.)

- All Plastic Corrosion Proof Construction
- CTS CPVC Tan Colored Body with High Impact Polypropylene Handle
- High Quality Santoprene™ Seals
- NSF® Certified for potable water and lead-free.
- For use in ASTM D 2846 Hot & Cold Water Distribution Systems rated to 100 psi @ 180°F

Sample Engineering Specification

All thermoplastic Stop Valves shall be Copper Tube Size (CTS) constructed from CPVC Type IV, ASTM D 1784 Cell Classification 23447. All Seals shall be Santoprene™. All valves shall have Polypropylene handle. All Stop Valves shall be pressure rated at 100 psi for water at 180°F, as manufactured by Spears® Manufacturing Company.

Dimensions



Stop Valve & Stop Waste Valve

Nominal Size	A	B	C	D	E	Approx. Wt. (Lbs.)
1/2	3-3/16	31/32	2-5/32	2-23/32	2	.19
3/4	3-11/32	31/32	2-1/2	2-23/32	2	.20

Stop Valve - Clear Handle

Nominal Size	A	B	C	D	E	Approx. Wt. (Lbs.)
1/2	2-27/32	3/4	2-5/32	2-3/8	2	.13
3/4	3	3/4	2-1/2	2-3/8	2	.15

Quick-View Valve Selection Chart

Valve Size	Stop Valve - Red Handle Socket x Socket	Stop & Waste Valve Socket x Socket	Stop Valve - Clear Handle Socket x Socket
1/2	8422-005	8422W-005	8422CH-005
3/4	8422-007	8422W-007	8422CH-007