



Features - PVC White

A high quality, economical quarter-turn shutoff valve designed for irrigation, pool and spa, and general purpose applications. IPS sizes 1/2" - 2" available in PVC White.

- Chemical & Corrosion Resistant PVC Construction
- Economical Sealed Unit
- Schedule 80 Full-Port Design
- High Impact, U.V. Resistant Polypropylene Handle
- Spears® Single O-ring Safe-T-Shear® Stem Design
- EPDM O-rings
- Sizes 1/2" - 4" Pressure Rated to 150 psi @ 73°F
- NSF® Certified for Potable Water use
- Assembled with Silicone-Free, Water Soluble Lubricant

Sample Engineering Specification

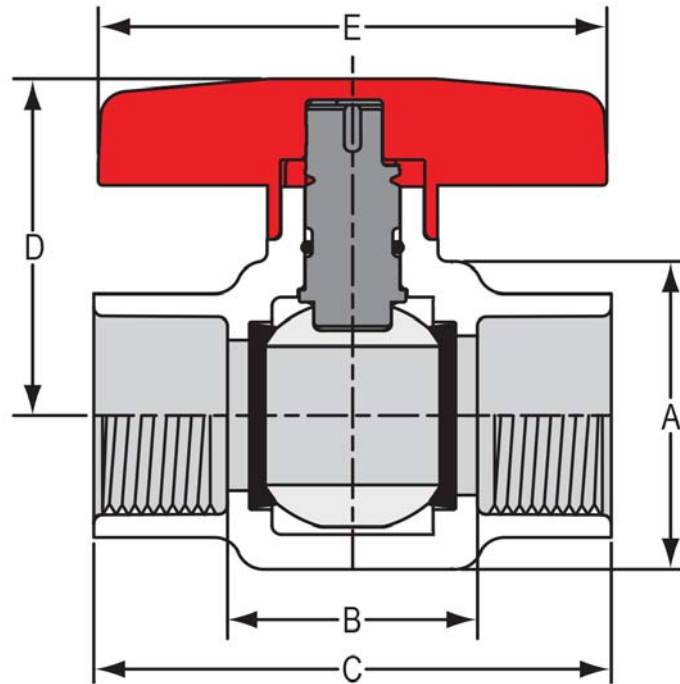
All thermoplastic ball valves shall be CWV sealed unit type constructed from PVC Type I, ASTM D 1784 Cell Classification 12454. All O-rings shall be EPDM. All valves shall have Safe-T-Shear® stem and Polypropylene handle. All valves shall be certified by NSF International for use in potable water service. All valves shall be pressure rated at 150 psi for water at 73°F, as manufactured by Spears® Manufacturing Company.

Quick-View Valve Selection Chart

Valve Size	O-ring Material	PVC Part Number		Pressure Rating
		Socket	Threaded	
1/2	EPDM	8722-005	8721-005	150 psi Non-Shock Water @ 73°F
3/4	EPDM	8722-007	8721-007	
1	EPDM	8722-010	8721-010	
1-1/4	EPDM	8722-012	8721-012	
1-1/2	EPDM	8722-015	8721-015	
2	EPDM	8722-020	8721-020	
2-1/2	EPDM	8722-025	8721-025	
3	EPDM	8722-030	8721-030	
4	EPDM	8722-040	8721-040	



Valves Technical CWV Ball Valves



Dimensions

Size	A	B		C	D	E
		Socket	Threaded			
1/2	1-5/16	1-7/32	1-7/32	2-11/16	1-9/16	2-5/8
3/4	1-5/8	1-15/32	1-7/16	2-15/16	1-15/16	2-7/8
1	1-7/8	1-5/8	1-5/8	3-7/16	2-1/4	3-3/8
1-1/4	2-3/8	2	2	3-7/8	2-3/4	3-7/8
1-1/2	2-3/4	2-7/16	2-3/4	4-11/16	3-1/8	4-1/2
2	3-5/16	2-3/4	3-1/8	5-1/8	3-3/4	5
2-1/2	4-5/16	3-1/2	4-7/16	7	4-1/8	5-5/8
3	5-5/16	4-3/16	5-1/8	7-5/16	5-9/16	7-3/4
4	6-11/16	5-1/8	6-1/4	9-3/16	6-1/8	9-1/8

Temperature Pressure Rating

System Operating Temperature °F (°C)		73 (23)	100 (38)	110 (43)	120 (49)	130 (54)	140 (60)	150 (66)	160 (71)	170 (77)	180 (82)	190 (88)
Valve Pressure Rating psi (MPa)	PVC	150 (1.03)	93 (.64)	75 (.52)	60 (.41)	45 (.31)	33 (.23)	-0- (-0-)	-0- (-0-)	-0- (-0-)	-0- (-0-)	-0- (-0-)