

**Eliminates Noise in Sump Pump and Sewage Ejector  
Check Valve Operation**

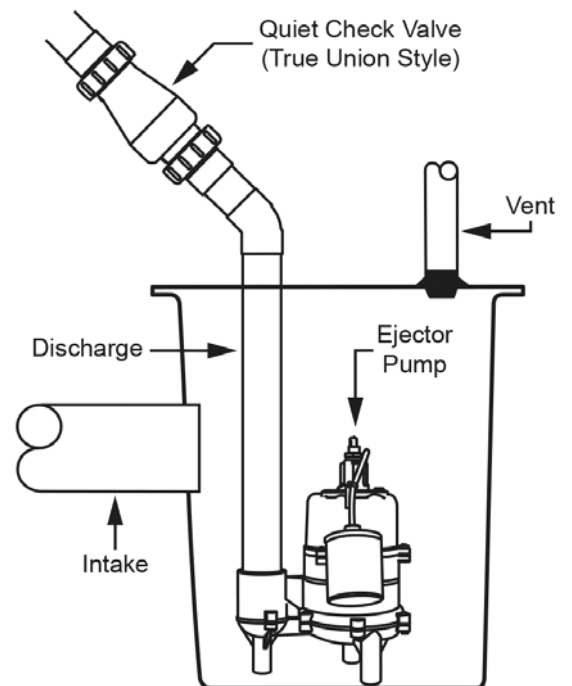


Spears® Quiet Check Valve has been designed to provide quiet operation in sump pump or sewage ejector pump systems typically found in home basements. The back flow of the water column in the discharge pipe can slam conventional check valves closed, producing a disturbing "thump" when the pump shuts off. The Quiet Check Valve uses a spring controlled rate of closing to prevent slamming and eliminates the noise.

Each Spears® Quiet Check Valve contains both regular socket ends for direct solvent cement connection of the valve and True Union style end connectors for easy valve removal or replacement.

Produced in both 1-1/2" and 2" nominal sizes, the 2" size is the minimum recommended for a sewage discharge system (i.e., sewage ejector pump) while the 1-1/2" size can be used in an effluent system (i.e., sump pump) discharge line to prevent back flow of liquid into sump basin.

**Pressure Rating @ 73°F (23°C), Water**  
**Full Flow (open) 150 psi**  
**Back Pressure (closed) 75 psi**  
**Maximum Service Temperature**  
**140°F (60°C)**  
**Temperature/Pressure De-ratings Apply**

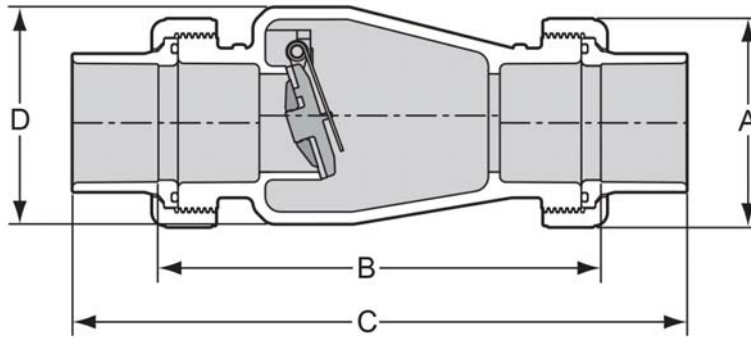


**Typical Application**

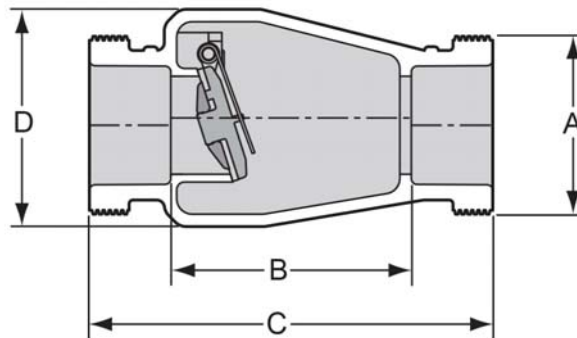


## Valves Technical Quiet Check Valves

### Technical Information



True Union Socket Connection



Direct Socket Connection



#### True Union Socket Connection

Part Number	Size	A	B	C	D
8622-015	1-1/2	3-5/16	7-3/32	9-7/8	3-1/2
8622-020	2	3-3/4	8-23/32	11-3/4	4-1/2

#### Direct Socket Connection

Part Number	Size	A	B	C	D
8622-015	1-1/2	2-3/4	3-13/16	6-1/2	3-1/2
8622-020	2	3-3/8	5-3/16	8	4-1/2

**Note:** Includes Both True Union Sockets for Easy Servicing and Direct Socket Connection for Installation in Confined Space

The check valve should be installed 12–18" above the pump discharge, or as recommended by the pump system manufacturer. Be sure check valve installation complies with local codes.

The Quiet Check Valve may be installed in either horizontal or vertical position. Check pump system manufacturer's recommendations for horizontal, vertical or angled positioning of check valve in discharge line. In horizontal installations, orient valve according to "This Side Up" marking for best operation. In all installations, valve **MUST** be installed in proper flow direction as indicated by the flow arrow on body.