



Filters & Strainers Technical Suction Strainers



Features - PVC

The Suction Strainer is a special Basket Strainer design that reduces pressure drop, a critical element in suction line applications. While same-size (inlet/outlet) units are available, the enlarged inlet performs best in suction-line applications.

- Chemical & Corrosion Resistant PVC Construction
- Quick release clamp retained Bonnet with Top Sight Glass, Standard
- Stainless Steel Strainer Basket with 3/16" Perforation, Standard
- Bottom-Drained Internal Strainer Basket for Direct Flushing
- 360° Adjustable Side Mounted Flush-Discharge Valve Assembly
- EPDM Seals Standard
- Pressure rated to 50 psi @ 73°F

Contact Spears® for additional Basket Mesh/Perforation, Elastomer seal options, or other custom requirements desired.

Sample Engineering Specification

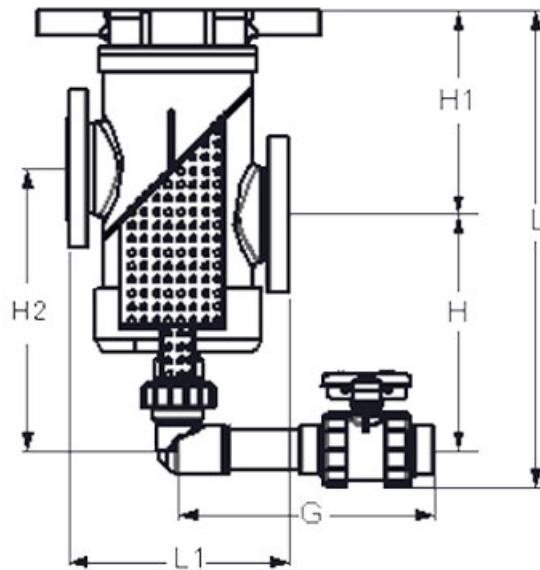
All thermoplastic Suction Strainers shall be fabricated from PVC Type I Cell Classification 12454 material. All O-rings shall be EPDM. Strainer basket shall be type 316 stainless steel. Standard strainer perforations shall be 3/16" with a minimum open area ratio of 6:1. Basket shall have bottom-drained direct discharge with 360° adjustable side discharge assembly, including Ball Valve at terminal end. Unit shall have quick release clamp retained bonnet with top sight glass. Suction strainer shall be pressure rated at 50 psi for water at 73°F, as manufactured by Spears® Manufacturing Company.

Suction Strainer Stainless Steel Baskets 3/16" Perforation

Size	Part Number
4	SSS4-040
6	SSS4-060
8	SSS4-080
10	SSS4-100
12	SSS4-120

Quick-View Suction Strainer Selection Chart

Valve Size	O-ring Material	Part Numbers	Pressure Rating
		Flanged	
4	EPDM	SS23BS4SG-040	50 psi Non-Shock Water @73°F
4 x 2	EPDM	SS23BS4SG-420	
4 x 2-1/2	EPDM	SS23BS4SG-421	
4 x 3	EPDM	SS23BS4SG-422	
6	EPDM	SS23BS4SG-060	
6 x 4	EPDM	SS23BS4SG-532	
8	EPDM	SS23BS4SG-080	
8 x 4	EPDM	SS23BS4SG-582	
8 x 6	EPDM	SS23BS4SG-585	
10	EPDM	SS23BS4SG-100	
10 x 6	EPDM	SS23BS4SG-626	
10 x 8	EPDM	SS23BS4SG-628	
12	EPDM	SS23BS4SG-120	
12 x 8	EPDM	SS23BS4SG-668	
12 x 10	EPDM	SS23BS4SG-670	



Dimensions

Size	G	H	H1	H2	L	L1
4	14-13/16	15-7/8	11-13/16	18-9/16	29-15/16	12-7/8
4 x 2	14-13/16	15-7/8	11-13/16	18-9/16	29-15/16	12-5/8
4 x 2-1/2	14-13/16	15-7/8	11-13/16	18-9/16	29-15/16	12-9/16
4 x 3	14-13/16	15-7/8	11-13/16	18-9/16	29-15/16	12-7/8
6	14-13/16	19-1/16	13-9/16	22-1/8	32-1/16	16-5/16
6 x 4	14-13/16	19-1/16	13-9/16	22-1/8	34-13/16	16-1/16
8	17-15/16	23-13/16	18-1/8	29-7/16	44-1/8	18
8 x 4	17-15/16	23-13/16	18-1/8	29-7/16	44-1/8	17-7/8
8 x 6	17-15/16	23-13/16	18-1/8	29-7/16	44-1/8	18
10	17-15/16	30-1/8	18-1/4	34	50-9/16	26
10 x 6	17-15/16	30-1/8	18-1/4	34	50-9/16	23-15/16
10 x 8	17-15/16	30-1/8	18-1/4	34	50-9/16	23-15/16
12	17-15/16	34-15/16	19-13/16	38-15/16	56-15/16	28
12 x 8	17-15/16	34-15/16	19-13/16	38-15/16	56-15/16	26-13/16
12 x 10	17-15/16	34-15/16	19-13/16	38-15/16	56-15/16	27-1/4

Temperature Pressure Rating

System Operating Temperature °F (°C)			100 (38)	110 (43)	120 (49)	130 (54)	140 (60)	150 (66)	160 (71)	170 (77)	180 (82)	190 (88)	200 (93)	210 (99)
Valve Pressure Rating psi (MPa)	4" - 12"	PVC	50 (.34)	45 (.31)	40 (.30)	35 (.24)	30 (.21)	-0-	-0-	-0-	-0-	-0-	-0-	-0-