



# **PVC Compression, Repair & GripLoc™ Fittings**



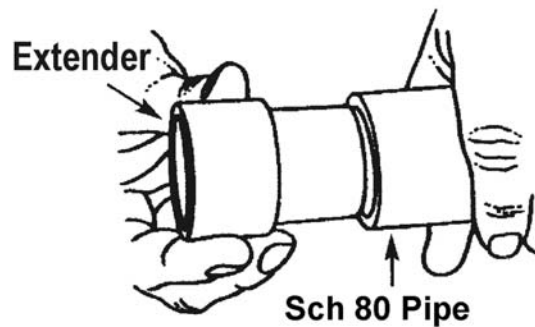
## **ENGINEERING GUIDE**

Contact Spears® for any Information not found.

## Schedule 80 Repair Fittings

**Schedule 80 Pipe Repair Fittings Allow Difficult Broken Pipe Repair To Be Made Easily**

**Pipe Extenders, Class 200**

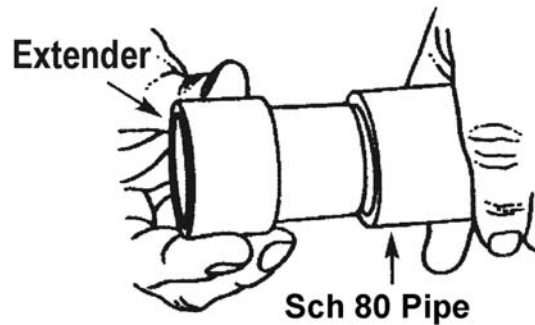




## Schedule 80 Repair Fittings

**Schedule 80 Pipe Repair Fittings Allow Difficult Broken Pipe Repair To Be Made Easily**

**Pipe Extenders, Class 200**





## PVC Compression Couplings

### Multi-Featured Design • Industrial PVC Gray • Easy-Thread Compression Nut • Converts to Spigot Coupling

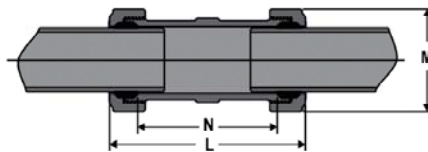


Excellent for quick connections, system modifications and repairs. Spears® redesigned Compression Coupling provides improved function, broader application and increased versatility. Standard PVC White units have been a long standing choice for Irrigation and Pool & Spa applications. PVC Gray Industrial unit provides broader range of Industrial and Chemical processing applications. Compression nut features strong Buttress threads engineered for easier tightening during installation. New body design has pipe-spigot dimensions allowing unit to be used to convert a socket fitting to a compression fitting. Available in IPS sizes 1/2" through 6".

- PVC Gray Industrial Construction**  
 Heavy bodied, chemical and corrosion resistant PVC Gray Industrial units provide for a broad range of applications.
- Elastomer Compression Gaskets**  
 PVC Gray Industrial unit is offered with elastomer gaskets.
- Strong, Buttress Threaded Compression Nuts**  
 Revised Nut design features increased strength of Buttress thread plus greater ease of Nut installation onto Body. Superior to standard pipe or square-cut ACME type threads.
- Full Service Pressure Rating**  
 1/2" - 2 1/2" = 200 psi, 3" - 6" = 150 psi internal pressure rating @ 73°F.
- NSF® Certified for Potable Water Use**  
 Compression Couplings are certified by NSF International for use in potable water systems.
- Spigot Conversion Capability**  
 Convert socket-outlet plastic pipe fitting to compression-outlet fitting. Simply cut the Compression Coupling in half next to center holding ribs. Body now functions as a spigot for solvent weld attachment to fitting socket (for Compression Couplings through 2" only).

### Compression Coupling, PVC Gray

Elastomer Gasket



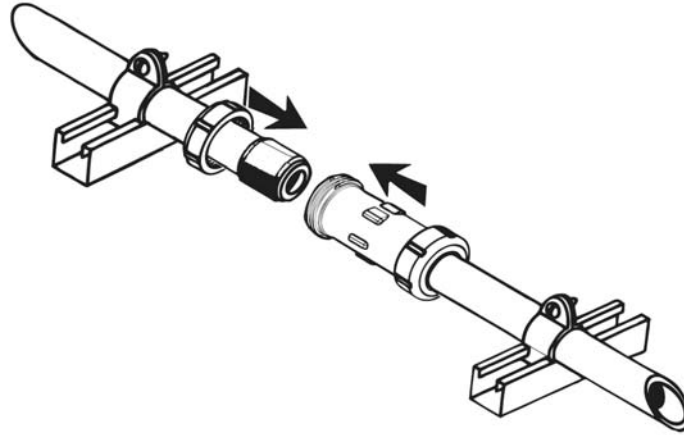
Part Number	Size	L	M	N	Approx. Wt. (Lbs.)
S110-05G	1/2	5	1-13/16	3-3/8	.18
S110-07G	3/4	5-3/8	2-1/8	3-9/16	.26
S110-10G	1	5-3/4	2-1/2	3-3/4	.41
S110-12G	1-1/4	6	2-15/16	4-3/32	.51
S110-15G	1-1/2	6-3/4	3-5/16	4-21/32	.82
S110-20G	2	7-9/32	3-15/16	5-3/32	1.21
S110-25G	2-1/2	8-7/8	4-15/16	5-7/8	2.61
S110-30G	3	9-5/16	5-1/2	6-3/16	3.22
S110-40G	4	11-1/2	6-3/4	7-3/4	5.70
S110-60G	6	11-3/4	9-3/8	7-7/8	9.21



Schedule 80 PVC Technical  
**Compression Couplings Dimensions & Information**

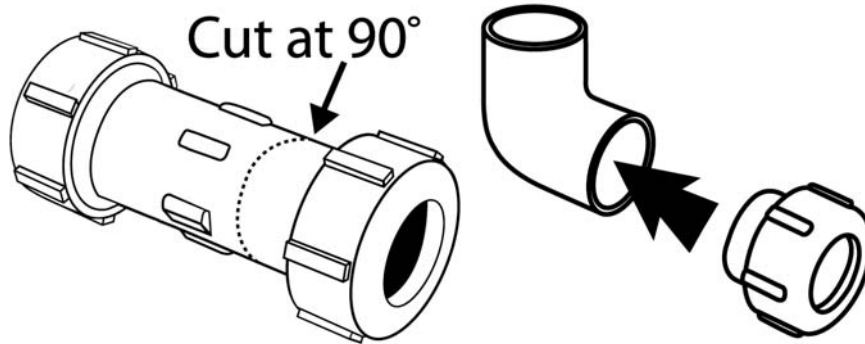
**Easy Installation**

Spears® Compression Couplings easily install by simply sliding nut over pipe, slip on gasket, then insert into body and tighten nuts.



**Convert Fittings to Compression Outlet**

Socket type fittings 3/4" through 2-1/2" can be easily converted to compression outlets sizes 1/2" through 2" by simply cutting the Compression Coupling at the center holding ribs and solvent welding the spigot body into a fitting socket.



Compression Coupling Size (in.)	Body Spigot Size (in.)
1/2	3/4
3/4	1
1	1-1/4
1-1/4	1-1/2
1-1/2	2
2	2-1/2
2-1/2	3

**Important Installation Note**

**WARNING:** The compression joints provide a positive seal but do not restrain pipe from thrusts and movement under pressure. Use of compression joint requires blocking connecting pipe to prevent any movement. Failure to do so can result in system failure or severe personal injury. Use in cold water/fluid applications only.



## Compression Male Adapters

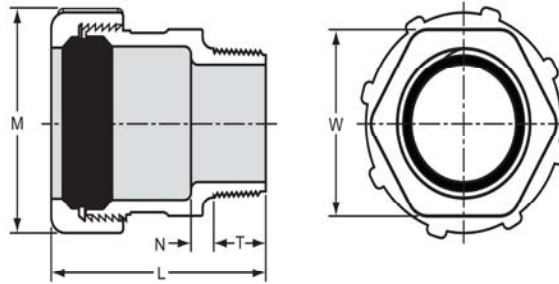


- Quickly Adapts Pipe to MIPT Thread
- Easy-Thread Compression Nut
- PVC White with Elastomer Gasket
- 200 psi Pressure Rating
- NSF® Certified for Potable Water Use

Uses same Nut Wrench sets available for Compression Couplings

### Compression Male Adapters, PVC

Elastomer Gasket  
 Uses Regular Compression Coupling Nut Wrenches



Part Number	Size	L	M	N	T	W	Approx. Wt. (Lbs.)
S130-05	1/2	2-11/16	1-13/16	1/4	11/16	1-1/8	.10
S130-07	3/4	2-15/16	2-1/8	5/16	11/16	1-3/8	.16
S130-10	1	3-1/4	2-1/2	5/16	7/8	1-11/16	.23
S130-12	1-1/4	3-7/16	2-15/16	5/6	7/8	2	.31
S130-15	1-1/2	3-9/16	3-5/16	3/8	29/32	2-3/8	.44
S130-20	2	3-7/8	3-7/8	13/32	15/16	3	.67





Schedule 80 PVC Technical  
**GripLoc™ Couplings, Installation & Cap**

## GripLoc™ Coupling

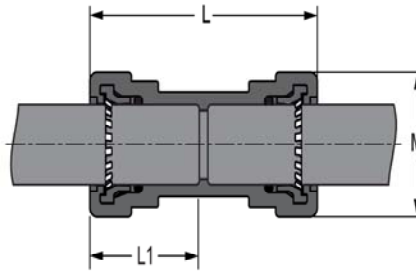


### GripLoc™ Coupling

Specially designed stainless steel Gripper Ring to firmly grip pipe and prevent potential pull-out. Compressed Gland Ring ensures positive O-ring seal against pipe.

### GripLoc™ Coupling

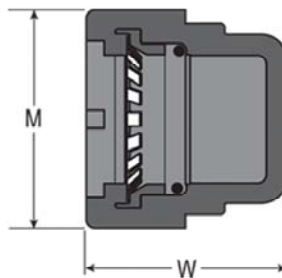
WARNING: DO NOT INSERT FINGERS  
 For Cold Water Only - EPDM Gasket  
 Uses No Solvent Cement  
 Pressure Rated to 235 psi @ 73°F



Part Number	Size	L	L1	M	N	Approx. Wt. (Lbs.)
GL429-005G	1/2	3-13/16	1-27/32	1-5/8	1/8	.19
GL429-007G	3/4	4	1-15/16	1-29/32	1/8	.26
GL429-010G	1	4-3/16	2-1/32	2-1/4	1/8	.35
GL429-012G	1-1/4	4-5/16	2-3/32	2-23/32	1/8	.53
GL429-015G	1-1/2	4-5/16	2-3/32	3	1/8	.57
GL429-020G	2	4-1/2	2-3/16	3-5/8	1/8	.85

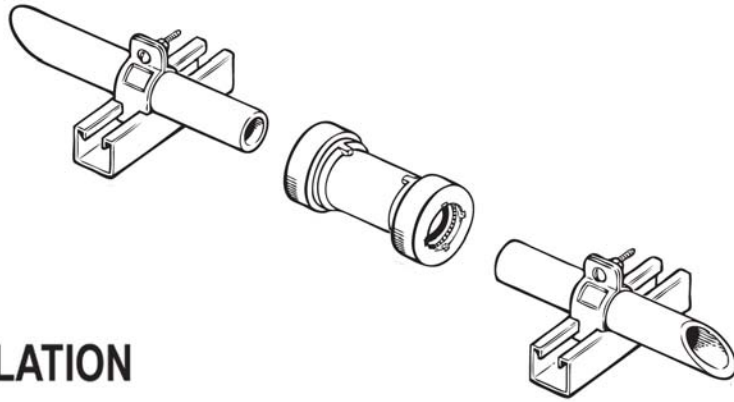
### GripLoc™ Cap

WARNING: DO NOT INSERT FINGERS  
 For Cold Water Only - EPDM Gasket  
 Uses No Solvent Cement  
 Pressure Rated to 235 psi @ 73°F



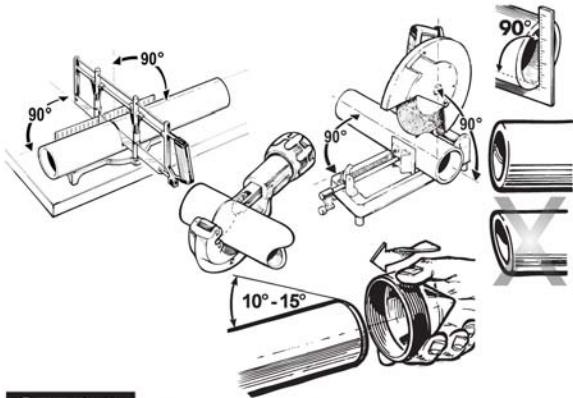
Part Number	Size	M	W	Approx. Wt. (Lbs.)
GL447-005G	1/2	1-5/8	1-5/8	.10
GL447-007G	3/4	1-15/16	1-3/4	.13
GL447-010G	1	2-5/16	2	.19
GL447-012G	1-1/4	2-23/32	2-1/8	.29
GL447-015G	1-1/2	3	2-3/16	.34
GL447-020G	2	3-5/8	2-7/16	.52

# GripLoc™ Coupling Installation

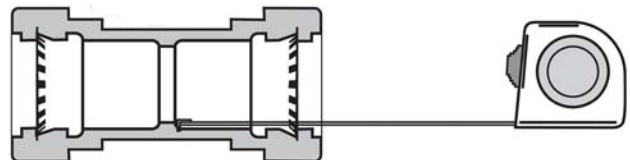


## EASY INSTALLATION

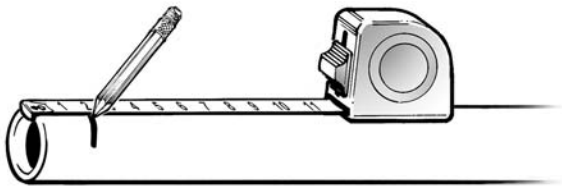
**STEP 1** Cut pipe square. Deburr and bevel.



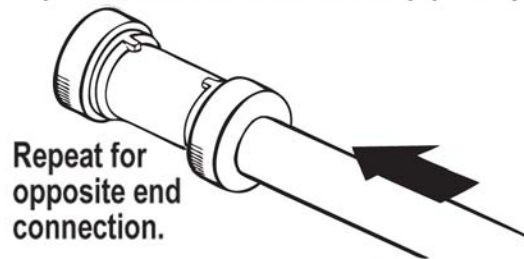
**STEP 2** Measure from pipe stop to the end of the coupling.



**STEP 3** Measure and mark pipe.



**STEP 4** Insert pipe all the way to mark. Pipe should bottom out at the pipe stop.



**WARNING: DO NOT INSERT FINGERS. ENSURE THAT PIPE AND FITTINGS ARE FREE OF DIRT AND DEBRIS PRIOR TO INSTALLATION.**