



Allows Connection to Existing Pipelines Under Pressure



Specially designed tapping saddle allows pipe branch connection to pressurized "Hot" lines without system shut-down. .

- Industrial Grade Bolt-on Saddle with EPDM or FKM O-ring Seals and Choice of Zinc Plated Steel or Type 316 Stainless Steel Hardware.
- Built-in Brass or Stainless Steel Cutter Easily Cuts Hole in PVC, CPVC, HDPE and PP Pipe. Special Design Captures and Retains Coupon from Hole.
- Pressure Rated up to 235 psi @ 73°F.
- Available to fit IPS Pipe 2" through 8" with Versatile 3/4" Socket - 1" Spigot Combination Branch Outlet or 1"-1/2" Socket - 2" Spigot Combination Branch Outlet

TECHNICAL DATA

Maximum Service Temperatures

PVC 140°F
 CPVC 200°F

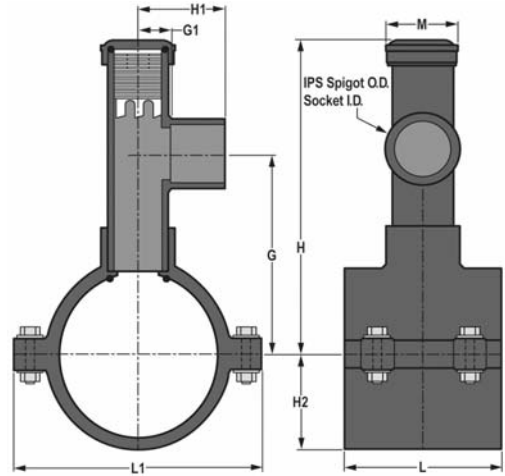
Pressure Rating @ 73°F

2" - 4" 235 psi
 6" 200 psi
 8" 150 psi

Note: Elevated service temperatures require system pressure de-rating.

Not for Distribution of Compressed Air or Gas

Some leakage is possible during the tapping process, therefore "hot-taps" are not recommended for corrosive or dangerous fluid medium.



Dimensions - EPDM Saddle x Socket (Spigot) Zinc Plated Bolts

Part Number	Size	G	G1	H	H 1	H2	L	L1	M
HT2-248	2 x 3/4 (1)	3-9/16	1	6-3/16	2	1-1/2	2-7/16	3-1/2	2
HT2-251	2 x 1-1/2 (2)	4-9/16	1-1/4	8-15/16	2-11/16	1-1/2	2-7/16	3-1/2	2-7/8
HT2-288	2-1/2 x 3/4 (1)	3-15/16	1	6-9/16	2	1-3/4	4-1/8	4-1/8	2
HT2-291	2-1/2 x 1-1/2 (2)	4-13/16	1-1/4	9-3/16	2-11/16	1-3/4	4-1/8	4-1/8	2-7/8
HT2-334	3 x 3/4 (1)	4-1/6	1	6-11/16	2	2	3	4-3/4	2
HT2-337	3 x 1-1/2 (2)	5-1/4	1-1/4	9-5/8	2-11/16	2	4-1/8	4-3/4	2-7/8
HT2-416	4 x 3/4 (1)	4-11/16	1	7-5/16	2	2-5/8	3	5-13/16	2
HT2-419	4 x 1-1/2 (2)	5-13/16	1-1/4	10-3/16	2-11/16	2-5/8	4-1/8	5-13/16	2-7/8
HT2-524	6 x 3/4 (1)	6	1	8-5/8	2	3-7/8	3	8-1/8	2
HT2-527	6 x 1-1/2 (2)	7-1/8	1-1/4	11-1/2	2-11/16	3-7/8	4-1/8	8-1/8	2-7/8
HT2-574	8 x 3/4 (1)	6-3/4	1	9-7/8	2	4-7/8	8-1/2	10-1/16	2
HT2-577	8 x 1-1/2 (2)	8-9/16	1-1/4	12-9/16	2-11/16	4-7/8	8-1/2	10-1/8	2-7/8

EPDM Saddle x Socket (Spigot) SS316 Bolts, Add The Letter "S" Before The Dash. e.g. Part Number HT2S-248 = 2x3/4 PVC Bolt On Saddle, EPDM O-ring, Stainless Steel Hardware. FKM Saddle x Socket (Spigot) Zinc Plated Bolts, Add The Number "3" Before The Dash. e.g. Part Number HT3-248 = 2x3/4 PVC Bolt On Saddle, FKM O-ring, Zinc Plated Hardware. FKM Saddle x Socket (Spigot) SS316 Bolts, Add "3S" Before The Dash. e.g. Part Number HT3S-248 = 2x3/4 PVC Bolt On Saddle, FKM O-ring, Stainless Steel Hardware. EPDM with Stainless Steel Cutter & Bolts, Add "S2S" Before The Dash. e.g. Part Number HTS2S-248C = 2x3/4 PVC Bolt On Saddle, EPDM O-ring, Stainless Steel Cutter & Hardware. FKM with Stainless Steel Cutter & Bolts, Add "S3S" Before The Dash. e.g. Part Number HTS3S-248 = 2x3/4 PVC Bolt On Saddle, FKM O-ring, Stainless Steel Cutter & Hardware.

Note: For PVC White, Add The Letter W After The Part Number. e.g. Part Number HT2-524W



Schedule 80 PVC Technical
Hot-Tap Saddles Dimensions & Information

Allows Connection to Existing Pipelines Under Pressure



Specially designed tapping saddle allows pipe branch connection to pressurized "Hot" lines without system shut-down. .

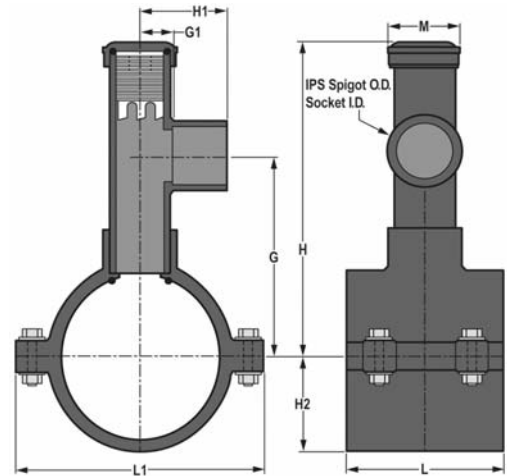
- Industrial Grade Bolt-on Saddle with EPDM or FKM O-ring Seals and Choice of Zinc Plated Steel or Type 316 Stainless Steel Hardware.
- Built-in Brass or Stainless Steel Cutter Easily Cuts Hole in PVC, CPVC, HDPE and PP Pipe. Special Design Captures and Retains Coupon from Hole.
- Pressure Rated up to 235 psi @ 73°F.
- Available to fit IPS Pipe 2" through 8" with Versatile 3/4" Socket - 1" Spigot Combination Branch Outlet or 1"-1/2" Socket - 2" Spigot Combination Branch Outlet

TECHNICAL DATA

Maximum Service Temperatures		Pressure Rating @ 73°F	
PVC	140°F	2" - 4"	235 psi
CPVC	200°F	6"	200 psi
Note: Elevated service temperatures require system pressure de-rating.		8"	150 psi

Not for Distribution of Compressed Air or Gas

Some leakage is possible during the tapping process, therefore "hot-taps" are not recommended for corrosive or dangerous fluid medium.



Dimensions - EPDM Saddle x Socket (Spigot) Zinc Plated Bolts

Part Number	Size	G	G1	H	H 1	H2	L	L1	M
HT2-248	2 x 3/4 (1)	3-9/16	1	6-3/16	2	1-1/2	2-7/16	3-1/2	2
HT2-251	2 x 1-1/2 (2)	4-9/16	1-1/4	8-15/16	2-11/16	1-1/2	2-7/16	3-1/2	2-7/8
HT2-288	2-1/2 x 3/4 (1)	3-15/16	1	6-9/16	2	1-3/4	4-1/8	4-1/8	2
HT2-291	2-1/2 x 1-1/2 (2)	4-13/16	1-1/4	9-3/16	2-11/16	1-3/4	4-1/8	4-1/8	2-7/8
HT2-334	3 x 3/4 (1)	4-1/6	1	6-11/16	2	2	3	4-3/4	2
HT2-337	3 x 1-1/2 (2)	5-1/4	1-1/4	9-5/8	2-11/16	2	4-1/8	4-3/4	2-7/8
HT2-416	4 x 3/4 (1)	4-11/16	1	7-5/16	2	2-5/8	3	5-13/16	2
HT2-419	4 x 1-1/2 (2)	5-13/16	1-1/4	10-3/16	2-11/16	2-5/8	4-1/8	5-13/16	2-7/8
HT2-524	6 x 3/4 (1)	6	1	8-5/8	2	3-7/8	3	8-1/8	2
HT2-527	6 x 1-1/2 (2)	7-1/8	1-1/4	11-1/2	2-11/16	3-7/8	4-1/8	8-1/8	2-7/8
HT2-574	8 x 3/4 (1)	6-3/4	1	9-7/8	2	4-7/8	8-1/2	10-1/16	2
HT2-577	8 x 1-1/2 (2)	8-9/16	1-1/4	12-9/16	2-11/16	4-7/8	8-1/2	10-1/8	2-7/8

EPDM Saddle x Socket (Spigot) SS316 Bolts, Add The Letter "S" Before The Dash. e.g. Part Number HT2S-248 = 2x3/4 PVC Bolt On Saddle, EPDM O-ring, Stainless Steel Hardware. FKM Saddle x Socket (Spigot) Zinc Plated Bolts, Add The Number "3" Before The Dash. e.g. Part Number HT3-248 = 2x3/4 PVC Bolt On Saddle, FKM O-ring, Zinc Plated Hardware. FKM Saddle x Socket (Spigot) SS316 Bolts, Add "3S" Before The Dash. e.g. Part Number HT3S-248 = 2x3/4 PVC Bolt On Saddle, FKM O-ring, Stainless Steel Hardware. EPDM with Stainless Steel Cutter & Bolts, Add "S2S" Before The Dash. e.g. Part Number HTS2S-248C = 2x3/4 PVC Bolt On Saddle, EPDM O-ring, Stainless Steel Cutter & Hardware. FKM with Stainless Steel Cutter & Bolts, Add "S3S" Before The Dash. e.g. Part Number HTS3S-248 = 2x3/4 PVC Bolt On Saddle, FKM O-ring, Stainless Steel Cutter & Hardware.

Note: For PVC White, Add The Letter W After The Part Number. e.g. Part Number HT2-524W