



GripLoc™ Coupling



GripLoc™ Coupling

Specially designed stainless steel Gripper Ring to firmly grip pipe and prevent potential pull-out. Compressed Gland Ring ensures positive O-ring seal against pipe.

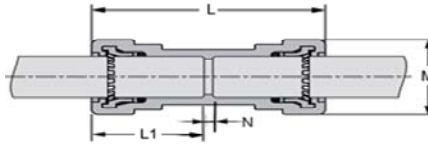
GripLoc™ Coupling

WARNING: DO NOT INSERT FINGERS

EPDM Gasket

Uses No Solvent Cement

Pressure Rated to 235 psi @ 73°F



Part Number	Size	L	L1	M	N	Approx. Wt. (Lbs.)
GL429-005C	1/2	3-13/16	1-27/32	1-5/8	1/8	.20
GL429-007C	3/4	4	1-15/16	1-29/32	1/8	.26
GL429-010C	1	4-3/16	2-1/32	2-1/4	1/8	.38
GL429-012C	1-1/4	4-5/16	2-3/32	2-23/32	1/8	.52
GL429-015C	1-1/2	4-5/16	2-3/32	3	1/8	.60
GL429-020C	2	4-1/2	2-3/16	3-5/8	1/8	.88

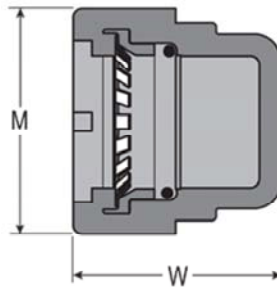
GripLoc™ Cap

WARNING: DO NOT INSERT FINGERS

EPDM Gasket

Uses No Solvent Cement

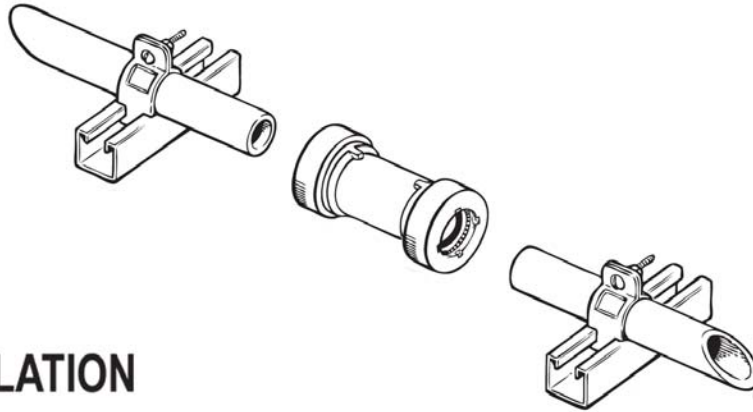
Pressure Rated to 235 psi @ 73°F



Part Number	Size	M	W	Approx. Wt. (Lbs.)
GL447-005C	1/2	1-5/8	1-5/8	.11
GL447-007C	3/4	1-15/16	1-3/4	.14
GL447-010C	1	2-5/16	2	.20
GL447-012C	1-1/4	2-23/32	2-1/8	.29
GL447-015C	1-1/2	3	2-3/16	.35
GL447-020C	2	3-5/8	2-7/16	.54

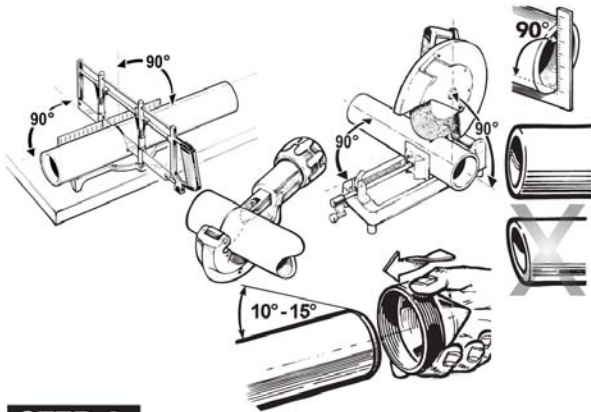


GripLoc™ Coupling Installation

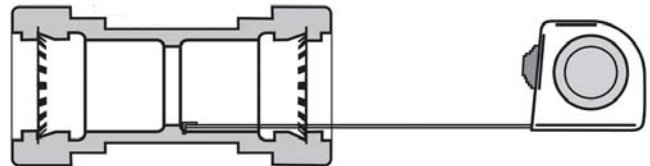


EASY INSTALLATION

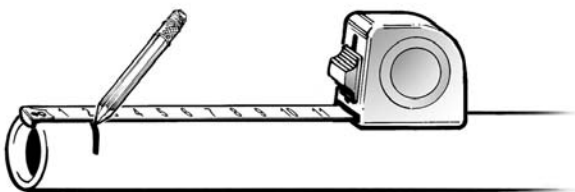
STEP 1 Cut pipe square. Deburr and bevel.



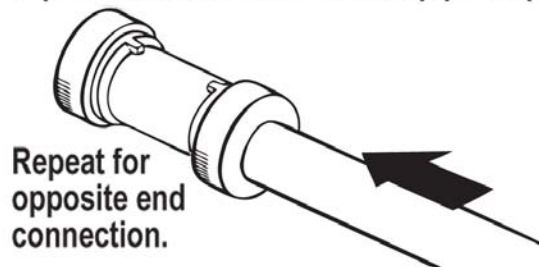
STEP 2 Measure from pipe stop to the end of the coupling.



STEP 3 Measure and mark pipe.



STEP 4 Insert pipe all the way to mark. Pipe should bottom out at the pipe stop.



WARNING: DO NOT INSERT FINGERS. ENSURE THAT PIPE AND FITTINGS ARE FREE OF DIRT AND DEBRIS PRIOR TO INSTALLATION.