



GripLoc™ Couplings



ENGINEERING GUIDE

Contact Spears® for any Information not found.



GripLoc™ Coupling



GripLoc™ Coupling

Specially designed stainless steel Gripper Ring to firmly grip pipe and prevent potential pull-out. Compressed Gland Ring ensures positive O-ring seal against pipe.

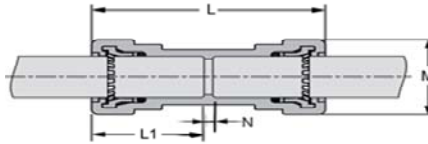
GripLoc™ Coupling

WARNING: DO NOT INSERT FINGERS

EPDM Gasket

Uses No Solvent Cement

Pressure Rated to 235 psi @ 73°F



| Part Number | Size | L | L1 | M | N | Approx. Wt. (Lbs.) |
|-------------|-------|---------|---------|---------|-----|--------------------|
| GL429-005C | 1/2 | 3-13/16 | 1-27/32 | 1-5/8 | 1/8 | .20 |
| GL429-007C | 3/4 | 4 | 1-15/16 | 1-29/32 | 1/8 | .26 |
| GL429-010C | 1 | 4-3/16 | 2-1/32 | 2-1/4 | 1/8 | .38 |
| GL429-012C | 1-1/4 | 4-5/16 | 2-3/32 | 2-23/32 | 1/8 | .52 |
| GL429-015C | 1-1/2 | 4-5/16 | 2-3/32 | 3 | 1/8 | .60 |
| GL429-020C | 2 | 4-1/2 | 2-3/16 | 3-5/8 | 1/8 | .88 |

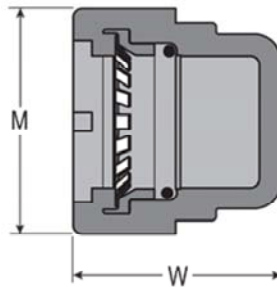
GripLoc™ Cap

WARNING: DO NOT INSERT FINGERS

EPDM Gasket

Uses No Solvent Cement

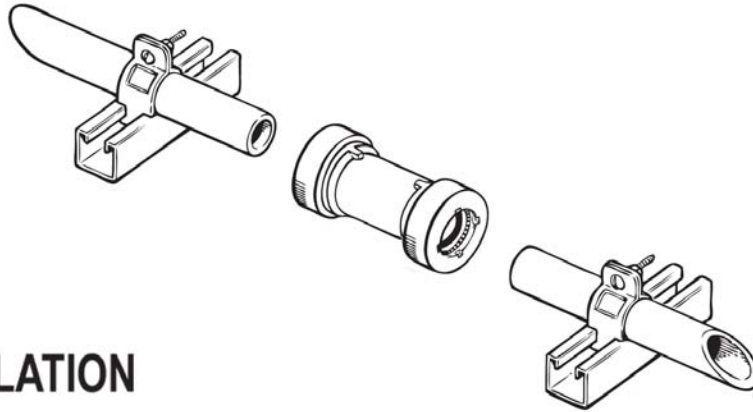
Pressure Rated to 235 psi @ 73°F



| Part Number | Size | M | W | Approx. Wt. (Lbs.) |
|-------------|-------|---------|--------|--------------------|
| GL447-005C | 1/2 | 1-5/8 | 1-5/8 | .11 |
| GL447-007C | 3/4 | 1-15/16 | 1-3/4 | .14 |
| GL447-010C | 1 | 2-5/16 | 2 | .20 |
| GL447-012C | 1-1/4 | 2-23/32 | 2-1/8 | .29 |
| GL447-015C | 1-1/2 | 3 | 2-3/16 | .35 |
| GL447-020C | 2 | 3-5/8 | 2-7/16 | .54 |

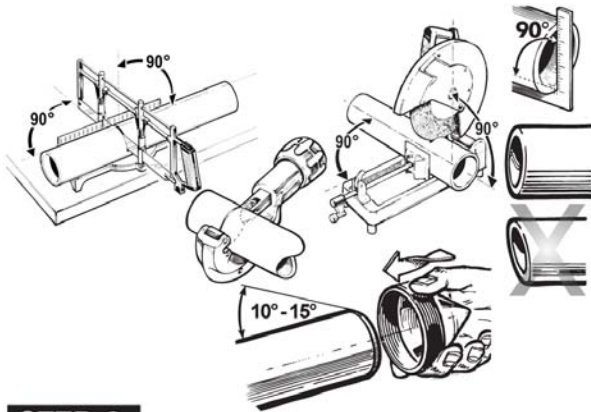


GripLoc™ Coupling Installation

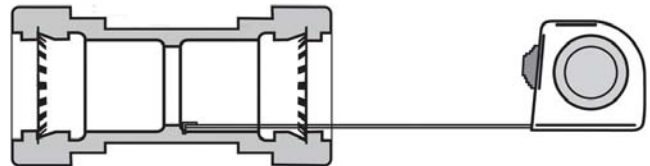


EASY INSTALLATION

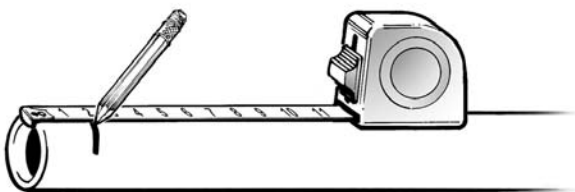
STEP 1 Cut pipe square. Deburr and bevel.



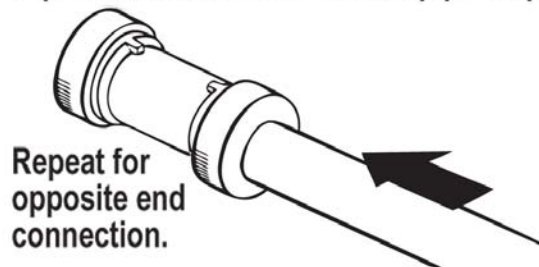
STEP 2 Measure from pipe stop to the end of the coupling.



STEP 3 Measure and mark pipe.



STEP 4 Insert pipe all the way to mark. Pipe should bottom out at the pipe stop.



WARNING: DO NOT INSERT FINGERS. ENSURE THAT PIPE AND FITTINGS ARE FREE OF DIRT AND DEBRIS PRIOR TO INSTALLATION.