



GripLoc™ Coupling

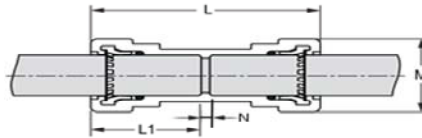


GripLoc™ Coupling

Specially designed stainless steel Gripper Ring to firmly grip pipe and prevent potential pull-out. Compressed Gland Ring ensures positive O-ring seal against pipe.

GripLoc™ Coupling

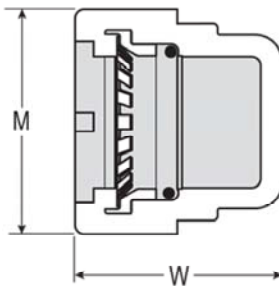
WARNING: DO NOT INSERT FINGERS
 For Cold Water Only - EPDM Gasket
 Pressure Rated to 235 psi @ 73°F
 Uses No Solvent Cement



Part Number	Size	L	L1	M	N	Approx. Wt. (Lbs.)
GL429-005	1/2	3-13/16	1-27/32	1-5/8	1/8	.19
GL429-007	3/4	4	1-15/16	1-29/32	1/8	.26
GL429-010	1	4-3/16	2-1/32	2-1/4		.36
GL429-012	1-1/4	4-5/16	2-3/32	2-23/32		.53
GL429-015	1-1/2	4-5/16	2-3/32	3	1/8	.56
GL429-020	2	4-1/2	2-3/16	3-5/8	1/8	.85

GripLoc™ Cap

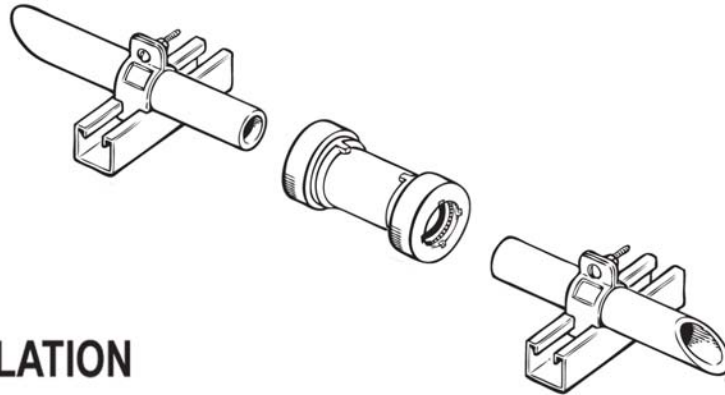
WARNING: DO NOT INSERT FINGERS
 For Cold Water Only - EPDM Gasket
 Pressure Rated to 235 psi @ 73°F
 Uses No Solvent Cement



Part Number	Size	M	W	Approx. Wt. (Lbs.)
GL447-005	1/2	1-5/8	1-5/8	.10
GL447-007	3/4	1-15/16	1-3/4	.13
GL447-010	1	2-5/16	2	.19
GL447-012	1-1/4	2-23/32	2-1/8	.29
GL447-015	1-1/2	3	2-3/16	.34
GL447-020	2	3-5/8	2-7/16	.52

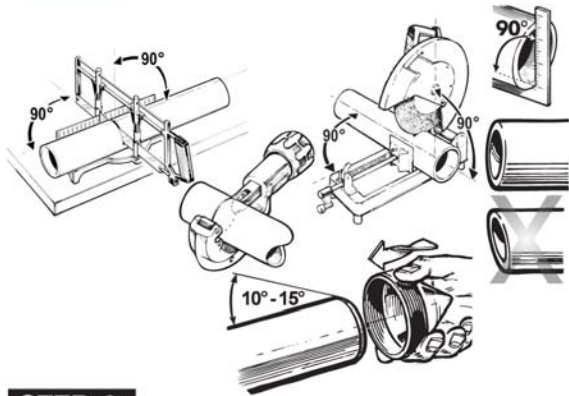


GripLoc™ Coupling Installation

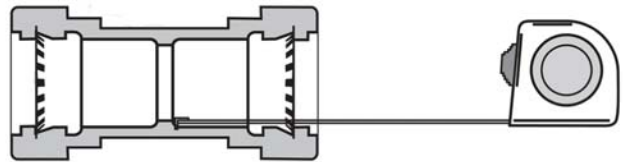


EASY INSTALLATION

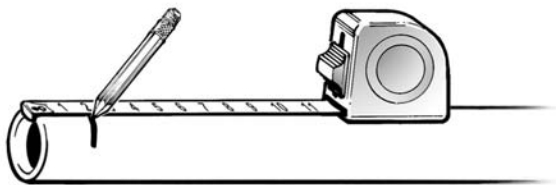
STEP 1 Cut pipe square. Deburr and bevel.



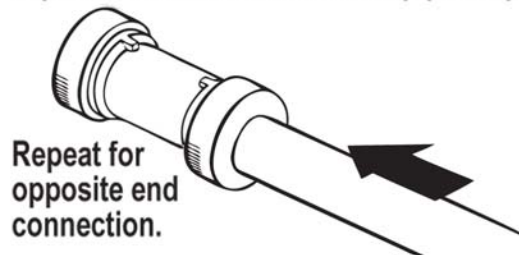
STEP 2 Measure from pipe stop to the end of the coupling.



STEP 3 Measure and mark pipe.



STEP 4 Insert pipe all the way to mark. Pipe should bottom out at the pipe stop.



Repeat for opposite end connection.

WARNING: DO NOT INSERT FINGERS. ENSURE THAT PIPE AND FITTINGS ARE FREE OF DIRT AND DEBRIS PRIOR TO INSTALLATION.