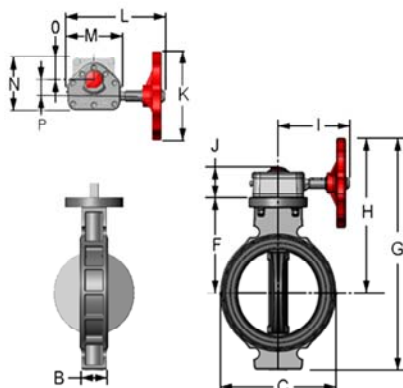




**Wafer Butterfly Valve - Standard - FKM - Marine**

Gear Operator



Part Number	Size	B	C	F	G	H	I	J	K	L	M	N	O	P	Bolt Circle Dia.	Bolt Size	No of Bolts	Approx. Wt. (Lbs.)
<a href="#">CG-753321-100C</a>	10	2- 9/16	12- 7/8	10-11/16	24-1/2	16-3/8	7-7/16	3-5/8	7-15/16	10-7/8	6-13/16	6-5/16	2-3/8	2-1/8	14-1/4	7/8	4	27.74
<a href="#">CG-753321-120C</a>	12	3- 1/16	15- 9/16	11-11/16	26-7/8	17-3/8	7-7/16	3-5/8	7-15/16	10-7/8	11-13/16	11-5/16	2-3/8	2-1/8	17	7/8	4	33.24

**CPVC Marine-24 Solvent Cement - Gray - Marine**

Requires primer



Part Number	Size	Approx. Wt. (Lbs.)
<a href="#">CG-MARINE24-030</a>	Quart	2.29
<a href="#">CG-MARINE24-040</a>	Gallon	9.03

**PRIMER21-70 Purple Industrial Strength Primer - Marine**



Part Number	Size	Approx. Wt. (Lbs.)
<a href="#">PRIM21-70P-030</a>	1 Quart	2.02
<a href="#">PRIM21-70P-040</a>	1 Gallon	7.94



Marine & Offshore Technical  
**Marine Solvent Cement & Primer**

**PRIMER21-70 Clear Industrial  
 Strength Primer - Marine**



Part Number	Size	Approx. Wt. (Lbs.)
<a href="#">PRIM21-70C-030</a>	1 Quart	2.02
<a href="#">PRIM21-70C-040</a>	1 Gallon	7.94

**Average Number of Joints per Quart of Solvent Cement**

Pipe Diameter	1/2"	3/4"	1"	1-1/2"	2"	3"	4"	6"	8"	10"	12"
Number of Joints	300	200	125	90	60	40	30	10	5	2-3	1-2

**NOTE:** These figures are based on laboratory tests. Due to many field variations, these should be used as a general guide only.