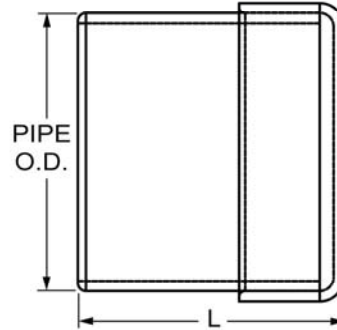


Fabricated Fittings Technical
PVC Schedule 40 & 80 Low Pressure Fabricated Fittings



Spigot Plug SCH 40

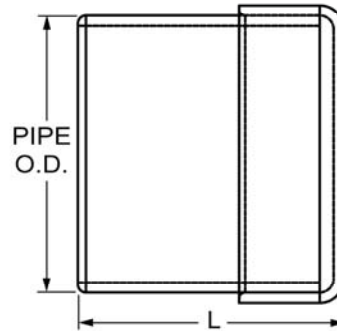
Spigot



Part Number	Size	L	Approx. Wt. (Lbs.)
3749-060	6	7-1/4	3.48
3749-080	8	8-1/4	5.96
3749-100	10	9-3/4	10.13
3749-120	12	11-1/8	16.54
3749-140	14	13-3/4	21.56
3749-160	16	14-1/2	30.78

Spigot Plug SCH 80

Spigot



Part Number	Size	L	Approx. Wt. (Lbs.)
3949-060	6	7-1/4	4.05
3949-080	8	8-1/4	7.26
3949-100	10	9-3/4	11.45
3949-120	12	11-1/8	22.50
3949-140	14	13-3/4	28.27
3949-160	16	14-1/2	47.93