

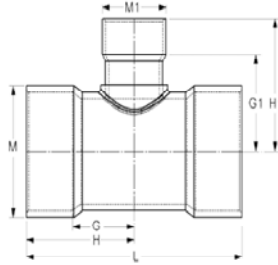
Fabricated Fittings Technical
PVC Schedule 40 & 80 Low Pressure Fabricated Fittings



Tee SCH 80-Reducer

Socket X Socket X Socket

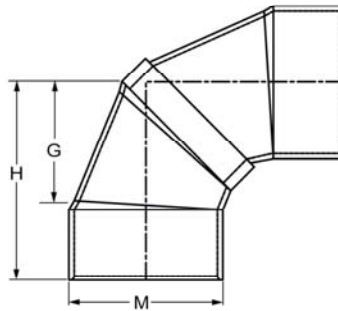
(Continued)



Part Number	Size	G	G1	H	H1	L	M	M1	Approx. Wt. (Lbs.)
3901-796	18X16	13-1/2	14-3/16	22-1/2	22-3/16	45	19-7/8	17-11/16	163.17
3901-814	20X4	7-11/16	12-7/8	17-11/16	15-1/8	35-3/8	22-1/16	5-3/16	123.16
3901-816	20X6	8-7/8	13-1/4	18-7/8	16-1/2	37-3/4	22-1/16	7-1/2	133.48
3901-818	20X8	9-7/8	14-1/8	19-7/8	18-3/8	39-3/4	22-1/16	9-5/8	148.71
3901-820	20X10	10-7/8	14-1/8	20-7/8	19-3/8	41-3/4	22-1/16	11-15/16	157.48
3901-822	20X12	11-7/8	14-1/8	21-7/8	20-3/8	43-3/4	22-1/16	14-1/8	171.00
3901-824	20X14	12-7/8	14-1/2	22-7/8	21-1/2	45-3/4	22-1/16	15-1/2	182.95
3901-826	20X16	14	15-1/8	24	23-1/8	48	22-1/16	17-11/16	206.24
3901-828	20X18	15	15	25	24	50	22-1/16	19-7/8	218.37
3901-904	24X4	9	14-11/16	21	16-15/16	42	26-7/16	5-3/16	220.00
3901-906	24X6	9-1/4	15-1/16	21-1/4	18-5/16	42-1/2	26-7/16	7-1/2	222.11
3901-908	24X8	10-1/4	15-15/16	22-1/4	20-3/16	44-1/2	26-7/16	9-5/8	235.18
3901-910	24X10	11-1/4	15-15/16	23-1/4	21-3/16	46-1/2	26-7/16	11-15/16	236.36
3901-912	24X12	12-1/4	15-15/16	24-1/4	22-3/16	48-1/2	26-7/16	14-1/8	269.72
3901-914	24X14	13-1/4	16-5/16	25-1/4	23-5/16	50-1/2	26-7/16	15-1/2	285.14
3901-916	24X16	14-3/4	16-15/16	26-3/4	24-15/16	53-1/2	26-7/16	17-11/16	308.40
3901-918	24X18	15-3/4	16-13/16	27-3/4	25-13/16	55-1/2	26-7/16	19-7/8	331.03
3901-920	24X20	16-3/4	18-3/16	28-3/4	28-3/16	57-1/2	26-7/16	22-1/16	361.00

90° Elbow SCH 40

Socket x Socket



Part Number	Size	G	H	M	Approx. Wt. (Lbs.)
3706-060	6	6-5/16	9-9/16	7-3/16	5.60
3706-080	8	7-11/16	11-15/16	9-1/4	12.89
3706-100	10	9-13/16	15-1/6	11-1/2	17.51
3706-120	12	11-3/16	17-7/16	13-9/16	30.66
3706-140	14	13-3/16	20-3/16	14-7/8	41.54

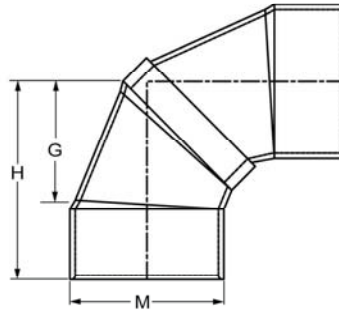


Fabricated Fittings Technical
PVC Schedule 40 & 80 Low Pressure Fabricated Fittings

90° Elbow SCH 40

(Continued)

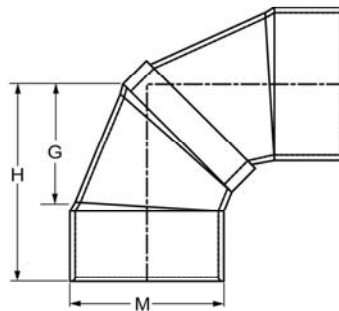
Socket x Socket



Part Number	Size	G	H	M	Approx. Wt. (Lbs.)
3706-160	16	15-1/4	23-1/4	17	59.37
3706-180	18	17-5/16	26-5/16	19-1/8	82.00
3706-200	20	19-13/16	29-13/16	21-3/16	118.12
3706-240	24	23-7/16	35-7/16	25-3/8	172.90

90° Elbow SCH 80

Socket x Socket



Part Number	Size	G	H	M	Approx. Wt. (Lbs.)
3906-060	6	6-7/16	9-11/16	7-1/2	10.28
3906-080	8	7-7/8	12-1/8	9-5/8	19.17
3906-100	10	10	15-1/4	11-15/16	30.83
3906-120	12	11-1/2	17-3/4	14-1/8	45.85
3906-140	14	13-1/2	20-1/2	15-1/2	63.10
3906-160	16	15-9/16	23-9/16	17-11/16	103.88
3906-180	18	17-11/16	26-11/16	19-7/8	164.83
3906-200	20	19-13/16	29-13/16	22-1/16	193.41
3906-240	24	24	36	26-7/16	324.00