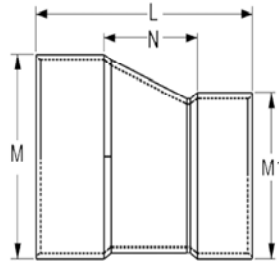


**Fabricated Fittings Technical**  
**PVC Schedule 40 & 80 Low Pressure Fabricated Fittings**



**Eccentric Reducer Coupling-  
SCH 80**

Socket X Socket

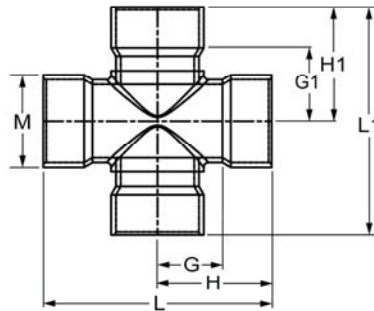


(Continued)

Part Number	Size	L	M	M1	N	Approx. Wt. (Lbs.)
3929-696E <sup>3</sup>	14X6	41-3/8	15-3/16	7-1/2	31-1/8	41.01
3929-698E <sup>2</sup>	14X8	33-1/16	15-3/16	9-5/8	21-13/16	35.00
3929-700E <sup>1</sup>	14X10	24-1/8	15-3/16	11-15/16	11-7/8	29.88
3929-702E	14X12	20-1/8	15-3/8	14-1/8	6-7/8	30.11
3929-756E <sup>4</sup>	16X6	54-1/4	17-1/2	7-1/2	43	73.56
3929-758E <sup>3</sup>	16X8	45-15/16	17-1/2	9-5/8	33-11/16	69.73
3929-760E <sup>2</sup>	16X10	37	17-1/2	11-15/16	23-3/4	59.25
3929-762E <sup>2</sup>	16X12	33	17-1/2	14-1/8	18-3/4	64.09
3929-764E	16X14	24-5/8	17-1/2	15-1/2	9-5/8	46.25
3929-786E <sup>5</sup>	18X6	69-1/4	19-11/16	7-1/2	57	121.36
3929-788E <sup>4</sup>	18X8	60-15/16	19-11/16	9-5/8	47-11/16	121.91
3929-790E <sup>3</sup>	18X10	52	19-11/16	11-15/16	37-3/4	109.42
3929-792E <sup>3</sup>	18X12	48	19-11/16	14-1/8	32-3/4	109.80
3929-794E <sup>2</sup>	18X14	39-5/8	19-11/16	15-1/2	23-5/8	97.05
3929-796E	18X16	28-5/8	19-11/16	17-11/16	11-5/8	66.92

**Cross SCH 40**

Socket x Socket x Socket x Socket



Part Number	Size	G	G1	H	H1	L	L1	M	Approx. Wt. (Lbs.)
3720-040	4	5-15/16	5-15/16	8-3/16	8-3/16	16-3/8	16-3/8	5	5.06
3720-060	6	6 3/16	6 3/16	9 7/16	9 7/16	18 7/8	18 7/8	7 3/16	9.74
3720-080	8	7-5/16	7-5/16	11-9/16	11-9/16	23-1/8	23-1/8	9-1/4	19.84
3720-100	10	9	8-3/8	14-1/4	13-5/8	28-1/2	27-1/4	11-1/2	30.13
3720-120	12	11-1/4	10-3/16	17-1/2	16-7/16	35	32-7/8	13-9/16	48.90
3720-140	14	11	11	18	18	36	36	14-7/8	64.38
3720-160	16	12-7/8	12-7/8	20-7/8	20-7/8	41-3/4	41-3/4	17	93.23
3720-180	18	13-3/8	13-3/8	22-3/8	22-3/8	44-3/4	44-3/4	19-1/8	130.37

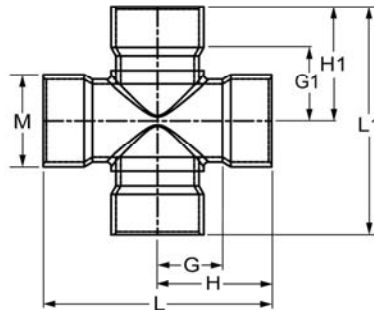


**Fabricated Fittings Technical**  
**PVC Schedule 40 & 80 Low Pressure Fabricated Fittings**

**Cross SCH 40**

(Continued)

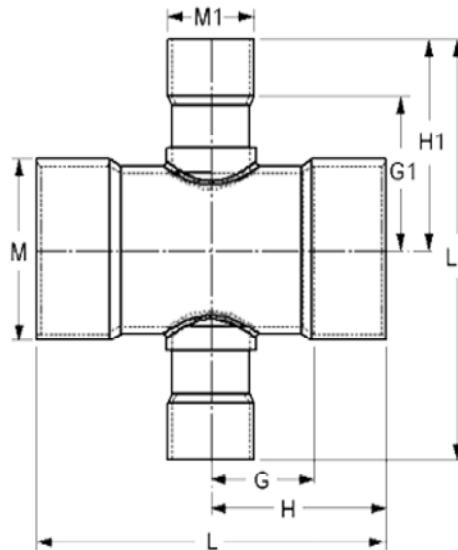
Socket x Socket x Socket x Socket



Part Number	Size	G	G1	H	H1	L	L1	M	Approx. Wt. (Lbs.)
<a href="#">3720-200</a>	20	15-1/2	15-7/16	25-1/2	25-7/16	51	50-7/8	21-3/16	161.18
<a href="#">3720-240</a>	24	17-1/2	17-1/2	29-1/2	29-1/2	59	59	25-3/8	269.21

**Cross SCH 40-Reducer**

Socket X Socket X Socket X Socket



Part Number	Size	G	G1	H	H1	L	L1	M	M1	Approx. Wt. (Lbs.)
<a href="#">3720-420</a>	4X2	4-1/4	4-1/4	6-1/2	6	13	12	5	2-11/16	2.77
<a href="#">3720-422</a>	4X3	4-3/4	5	7	7-1/4	14	14-1/2	5	3-15/16	3.75
<a href="#">3720-528</a>	6X2	3- 3/8	5-1/16	6- 5/8	7-1/16	13- 1/4	14-1/8	7-3/16	2-11/16	4.27
<a href="#">3720-530</a>	6X3	4-5/8	6-1/4	7-7/8	8-5/16	15-3/4	16-5/8	7- 3/16	3-15/16	6.27
<a href="#">3720-532</a>	6X4	5-1/8	6-3/8	8-3/8	8-5/8	16-3/4	17-1/4	7- 3/16	5	6.83
<a href="#">3720-578</a>	8X2	4-1/16	6-1/4	8-5/16	8	16-5/8	16	9-1/4	2-11/16	9.46
<a href="#">3720-580</a>	8X3	4-9/16	7	8-13/16	9-1/4	17-5/8	18-1/2	9- 1/4	3-15/16	8.65
<a href="#">3720-582</a>	8X4	5-1/16	7-5/16	9-5/16	9-9/16	18-5/8	19-1/8	9- 1/4	5	11.96
<a href="#">3720-585</a>	8X6	6-3/16	7-3/8	10-7/16	10-5/8	19- 1/8	20- 1/2	9- 1/4	7- 3/16	14.65
<a href="#">3720-621</a>	10X2	4-3/8	7-1/4	9-5/8	9	19-1/4	18	11-1/2	2-11/16	13.72
<a href="#">3720-623</a>	10X3	4-7/8	8	10-1/8	10-1/4	20-1/4	20-1/2	11-1/2	3-15/16	15.12
<a href="#">3720-624</a>	10X4	5-3/8	8-5/16	10-5/8	10-9/16	21-1/4	21-1/8	11-1/2	4-7/8	16.48
<a href="#">3720-626</a>	10X6	5- 7/8	8- 3/8	11- 1/8	11- 5/8	22- 1/4	23- 1/4	11- 1/2	7-3/16	18.17

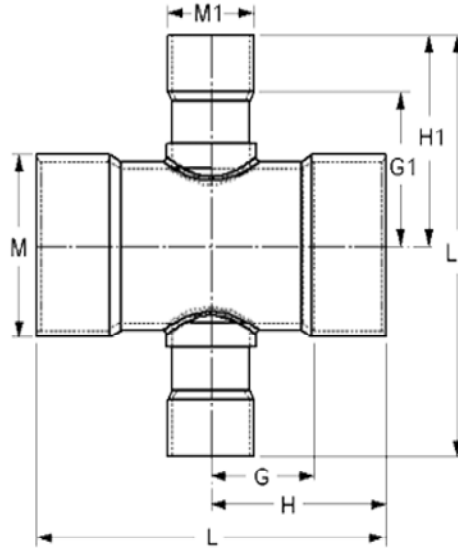
**Fabricated Fittings Technical**  
**PVC Schedule 40 & 80 Low Pressure Fabricated Fittings**



**Cross SCH 40-Reducer**

Socket X Socket X Socket X Socket

(Continued)



Part Number	Size	G	G1	H	H1	L	L1	M	M1	Approx. Wt. (Lbs.)
3720-628	10X8	6-1/4	8-5/16	12	12-9/16	24	25-1/8	11-1/2	9-1/4	23.18
3720-664	12X4	5-3/4	9-5/16	12	11-9/16	24	23-1/8	13-9/16	5	21.93
3720-666	12X6	7	9-3/8	13-1/4	12-5/8	26-1/2	25-1/4	13-9/16	7-3/16	26.94
3720-668	12X8	8	9-5/16	14-1/4	13-9/16	28-1/2	27-3/8	13-9/16	9-1/4	32.80
3720-670	12X10	10-1/4	10-3/8	16-1/2	15-5/8	33	31-1/4	13-9/16	11-1/2	41.56
3720-691	14X2	4-3/8	8-13/16	11-3/8	10-9/16	22-3/4	21-1/8	14-7/8	2-11/16	25.40
3720-693	14X3	4-7/8	9-9/16	11-7/8	11-13/16	23-3/4	23-5/8	14-7/8	3-15/16	27.27
3720-694	14X4	5-3/8	9-7/8	12-3/8	12-1/8	24-3/4	24-1/4	14-7/8	5	29.04
3720-696	14X6	6-3/8	9-15/16	13-3/8	13-3/16	26-3/4	26-3/8	14-7/8	7-3/16	32.81
3720-698	14X8	7-3/8	9-7/8	14-3/8	14-1/8	28-3/4	28-1/4	14-7/8	9-1/4	39.09
3720-700	14X10	8-1/2	10-15/16	15-1/2	16-3/16	31	32-3/8	14-7/8	11-1/2	46.82
3720-702	14X12	9-1/2	10-3/4	16-1/2	17	33	34	14-7/8	13-9/16	54.58
3720-751	16X2	4-9/16	9-3/4	12-9/16	11-1/2	25-1/8	23	17	2-11/16	36.17
3720-753	16X3	5-1/8	10-1/2	13-1/18	12-3/4	26-1/4	25-1/2	17	3-15/16	39.27
3720-754	16X4	5-5/8	10-13/16	13-5/8	13-1/16	27-1/4	26-1/8	17	5	40.12
3720-756	16X6	6-3/4	10-7/8	14-3/4	14-1/8	29-1/2	28-1/4	17	7-3/16	45.75
3720-758	16X8	7-3/4	10-13/16	15-3/4	15-1/16	31-1/2	30-1/8	17	9-1/4	52.58
3720-760	16X10	8-3/4	11-7/8	16-3/4	17-1/8	33-1/2	34-1/4	17	11-1/2	58.51
3720-762	16X12	9-3/4	11-11/16	17-3/4	17-15/16	35-1/2	35-7/8	17	13-9/16	66.82
3720-764	16X14	10-3/8	11-15/16	18-3/8	18-15/16	36-3/4	37-7/8	17	14-7/8	74.82
3720-784	18X4	6-3/8	11-3/4	15-3/8	14	30-3/4	28	19-1/8	5	58.65
3720-786	18X6	7-3/8	11-13/16	16-3/8	15-1/16	32-3/4	30-1/8	19-1/8	7-3/16	63.77
3720-788	18X8	8-3/8	11-3/4	17-3/8	16	34-3/4	32	19-1/8	9-1/4	71.40
3720-790	18X10	9-1/2	12-13/16	18-1/2	18-1/16	37	36-1/8	19-1/8	11-1/2	79.46
3720-792	18X12	10-1/2	12-5/8	19-1/2	18-7/8	39	37-3/4	19-1/8	13-9/16	88.57
3720-794	18X14	11	12-7/8	20-1/8	19-7/8	40-1/4	39-3/4	19-1/8	14-7/8	96.97
3720-796	18X16	12-1/8	13-13/16	21-1/8	21-13/16	42-1/4	43-5/8	19-1/8	17	112.24
3720-814	20X4	6-1/8	12-3/4	16-1/8	15	32-1/4	30	21-3/16	5	68.98
3720-816	20X6	7-1/4	12-13/16	17-1/4	16-1/16	34-1/2	32-1/8	21-3/16	7-3/16	74.61
3720-818	20X8	8-1/4	12-3/4	18-1/4	17	36-1/2	34	21-3/16	9-1/4	82.75
3720-820	20X10	9-1/4	13-13/16	19-1/4	19-1/16	38-1/2	38-1/8	21-3/16	11-1/2	91.30

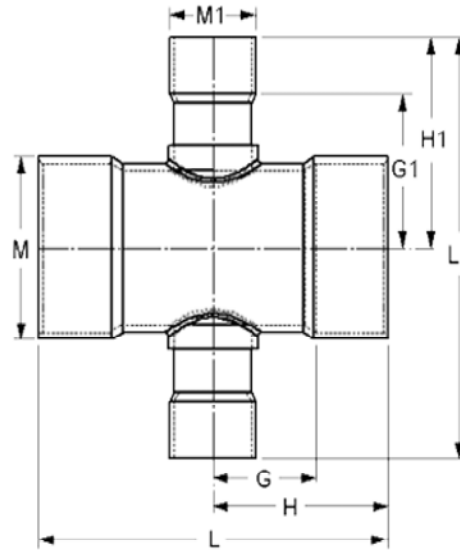


**Fabricated Fittings Technical**  
**PVC Schedule 40 & 80 Low Pressure Fabricated Fittings**

**Cross SCH 40-Reducer**

(Continued)

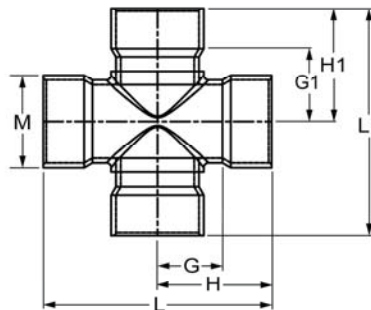
Socket X Socket X Socket X Socket



Part Number	Size	G	G1	H	H1	L	L1	M	M1	Approx. Wt. (Lbs.)
3720-822	20X12	10-1/4	13-5/8	20-1/4	19-7/8	40-1/2	39-3/4	21-3/16	13-9/16	104.07
3720-824	20X14	10-7/8	13-7/8	20-7/8	20-7/8	41-3/4	41-3/4	21-3/16	14-7/8	103.40
3720-826	20X16	11-7/8	14-13/16	21-7/8	22-13/16	43-3/4	45-5/8	21-3/16	17	127.33
3720-828	20X18	12-7/8	14-3/8	22-7/8	23-3/8	45-3/4	46-3/4	21-3/16	19-1/8	145.96
3720-904	24X4	7-3/8	14-5/8	19-3/8	16-7/8	38-3/4	33-3/4	25-3/8	5	117.01
3720-906	24X6	8-3/8	14-11/16	20-3/8	17-15/16	40-3/4	35-7/8	25-3/8	7-3/16	124.32
3720-908	24X8	9-3/8	14-5/8	21-3/8	18-7/8	42-3/4	37-3/4	25-3/8	9-1/4	134.13
3720-910	24X10	10-1/2	15-11/16	22-1/2	20-15/16	45	41-7/8	25-3/8	11-1/2	144.35
3720-912	24X12	11-1/2	15-1/2	23-1/2	21-3/4	47	43-1/2	25-3/8	13-9/16	155.64
3720-914	24X14	12-1/8	15-3/4	24-1/8	22-3/4	48-1/4	45-1/2	25-3/8	14-7/8	165.14
3720-916	24X16	13-1/8	16-11/16	25-1/8	24-11/16	50-1/4	49-3/8	25-3/8	17	182.59
3720-918	24X18	14-1/8	16-1/4	26-1/8	25-1/4	52-1/4	50-1/2	25-3/8	19-1/8	202.89
3720-920	24X20	15-1/8	17-5/16	27-1/8	27-5/16	54-1/4	54-5/8	25-3/8	21-3/16	223.98

**Cross SCH 80**

Socket x Socket x Socket x Socket



Part Number	Size	G	G1	H	H1	L	L1	M	Approx. Wt. (Lbs.)
3920-040	4	5-3/4	5-3/4	8	8	16	16	5-3/16	10.24
3920-060	6	6-1/4	6-1/4	9-1/2	9-1/2	19	19	7-1/2	15.89

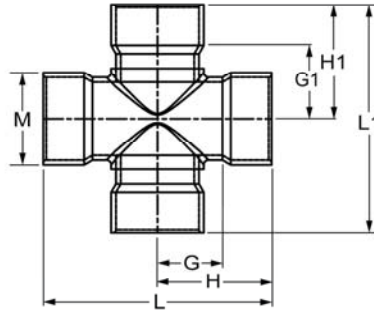
Fabricated Fittings Technical  
**PVC Schedule 40 & 80 Low Pressure Fabricated Fittings**



**Cross SCH 80**

(Continued)

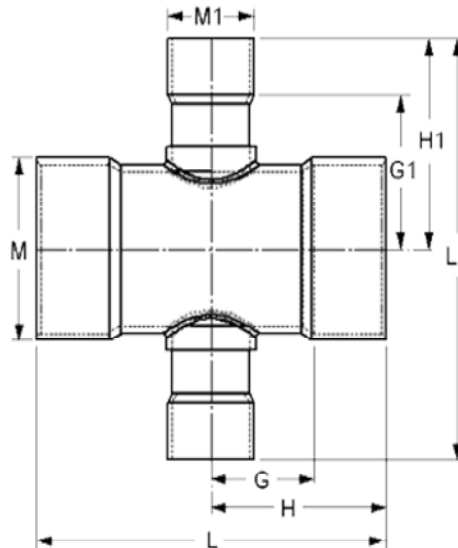
Socket x Socket x Socket x Socket



Part Number	Size	G	G1	H	H1	L	L1	M	Approx. Wt. (Lbs.)
3920-080	8	7-5/8	7-5/8	11-7/8	11-7/8	23-3/4	23-3/4	9-5/8	29.82
3920-100	10	9	9	14-1/4	14-1/4	28-1/2	28-1/2	11-15/16	51.44
3920-120	12	11-1/4	11-1/4	17-1/2	17-1/2	35	35	14-1/8	89.81
3920-140	14	12-1/4	12-1/4	19-1/4	19-1/4	38-1/2	38-1/2	15-1/2	115.49
3920-160	16	13	13	21	21	42	42	17-11/16	156.88
3920-180	18	13-3/4	13-3/4	22-3/4	22-3/4	45-1/2	45-1/2	19-7/8	220.83
3920-200	20	16-3/8	16-3/8	26-3/8	26-3/8	52-3/4	52-3/4	22-1/16	314.68
3920-240	24	20-1/4	20-1/4	32-1/4	32-1/4	64-1/2	64-1/2	26-7/16	553.21

**Cross SCH 80- Reducer**

Socket X Socket X Socket X Socket



Part Number	Size	G	G1	H	H1	L	L1	M	M1	Approx. Wt. (Lbs.)
3920-420	4X2	3-7/8	4-1/4	6-1/8	6	12-1/4	12	5-3/16	2-13/16	3.94
3920-422	4X3	5-1/4	4-13/16	7-1/2	7-1/16	15	14-1/8	5-3/16	4-1/8	5.39
3920-528	6X2	4-5/8	5-3/16	7-7/8	6-15/16	15-3/4	13-7/8	7-1/2	2-13/16	8.30
3920-530	6X3	4-3/4	5-3/4	8	8	16	16	7-1/2	4-1/8	9.29
3920-532	6X4	5-1/4	6-3/4	8-1/2	9	17	18	7-1/2	5-3/16	11.87
3920-578	8X2	4-11/16	6-1/8	8-15/16	7-7/8	17-7/8	15-3/4	9-5/8	2-13/16	12.99
3920-580	8X3	5-3/16	6-11/16	9-7/16	8-15/16	18-7/8	17-7/8	9-5/8	4-1/8	16.54

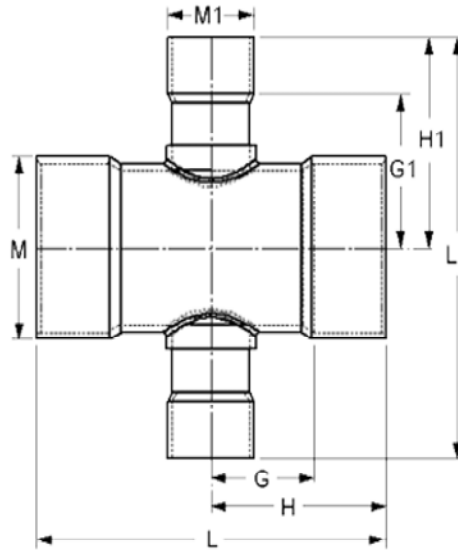


**Fabricated Fittings Technical**  
**PVC Schedule 40 & 80 Low Pressure Fabricated Fittings**

**Cross SCH 80- Reducer**

(Continued)

Socket X Socket X Socket X Socket



Part Number	Size	G	G1	H	H1	L	L1	M	M1	Approx. Wt. (Lbs.)
3920-582	8X4	5- 3/4	7-11/16	10	9-15/16	20	19-7/8	9- 5/8	5-3/16	16.57
3920-585	8X6	6- 3/4	8-1/16	11	11-5/16	22	22-5/8	9- 5/8	7- 1/2	18.69
3920-621	10X2	4-3/8	7-1/8	9-5/8	8-7/8	19-1/4	17-3/4	11-15/16	2-13/16	19.46
3920-623	10X3	4-7/8	7-11/16	10-1/8	9-15/16	20-1/4	19-7/8	11-15/16	4-1/8	25.45
3920-624	10X4	5-3/8	8-11/16	10-5/8	10-15/16	21-1/4	21-7/8	11-15/16	5-3/16	26.74
3920-626	10X6	5-7/8	9-1/16	11-1/8	12-5/16	22-1/4	24-5/8	11-15/16	7-1/2	30.99
3920-628	10X8	8- 1/4	9-15/16	13- 1/2	14-3/16	27	28-3/8	11-15/16	9- 5/8	43.00
3920-661	12X2	4-3/4	8	11	9-3/4	22	19-1/2	14- 1/8	2-13/16	35.50
3920-663	12X3	5-1/4	8-9/16	11-1/2	10-13/16	23	21-5/8	14-1/8	4-1/8	37.84
3920-664	12X4	5-3/4	9-9/16	12	11-13/16	24	23-5/8	14-1/8	5-3/16	39.32
3920-666	12X6	7-1/4	9-15/16	13-1/4	13-3/16	26-1/2	26-3/8	14-1/8	7-1/2	49.48
3920-668	12X8	8	10-13/16	14-1/4	15-1/16	28-1/2	30-1/8	14-1/8	9-5/8	59.10
3920-670	12X10	10-1/4	10-13/16	16-1/2	16-1/16	33	32-1/8	14-1/8	11-15/16	67.15
3920-691	14X2	5-3/16	8-9/16	12-3/16	10-5/16	24-3/8	20-5/8	15-1/2	2-13/16	43.63
3920-693	14X3	5-3/4	9-1/8	12-3/4	11-3/8	25-1/2	22-3/4	15-1/2	4-1/8	46.69
3920-694	14X4	6-1/2	10-1/8	13-1/2	12-3/8	27	24-3/4	15-1/2	5-3/16	50.92
3920-696	14X6	8- 1/4	10-1/2	15- 1/4	13-3/4	30- 1/2	27-1/2	15- 1/2	7- 1/2	60.27
3920-698	14X8	9- 1/4	11-3/8	16- 1/4	15-5/8	32- 1/2	31-1/4	15- 1/2	9- 5/8	70.30
3920-700	14X10	10-1/8	11-3/8	17-1/8	16-5/8	34-1/4	33-1/4	15-1/2	11-15/16	82.02
3920-702	14X12	11	11-3/8	18	17-5/8	36	35-1/4	15- 1/2	14- 1/8	97.46
3920-754	16X4	6-1/8	11-1/16	14-1/8	13-5/16	28-1/4	26-5/8	17-11/16	5-3/16	65.25
3920-756	16X6	8-5/8	11-7/16	16-5/8	14-11/16	33-1/4	29-3/8	17-11/16	7-1/2	81.24
3920-758	16X8	9-5/8	12-5/16	17-5/8	16-9/16	35-1/4	33-1/8	17-11/16	9-5/8	92.64
3920-760	16X10	10-5/8	12-5/16	18-5/8	17-9/16	37-1/4	35-1/8	17-11/16	11-15/16	105.31
3920-762	16X12	11- 5/8	12-5/16	19- 5/8	18-9/16	39- 1/4	37-1/8	17-11/16	14- 1/8	121.68
3920-764	16X14	12- 3/4	12-11/16	20- 3/4	19-11/16	41- 1/2	39-3/8	17-11/16	15- 1/2	137.83
3920-784	18X4	6-7/8	11-15/16	15-7/8	14-3/16	31-3/4	28-3/8	19-7/8	5-3/16	98.11
3920-786	18X6	8-1/2	12-5/16	17-1/2	15-9/16	35	31-1/8	19-7/8	7-1/2	110.90
3920-788	18X8	9-1/2	13-3/16	18-1/2	17-7/16	37	34-7/8	19-7/8	9-5/8	123.22
3920-790	18X10	10-1/2	13-3/16	19-1/2	18-7/16	39	36-7/8	19-7/8	11-15/16	130.90
3920-792	18X12	11-1/2	13-3/16	20-1/2	19-7/16	41	38-7/8	19-7/8	14-1/8	147.20

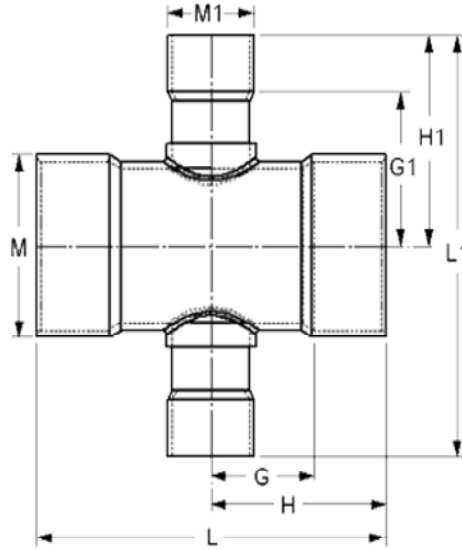
Fabricated Fittings Technical  
**PVC Schedule 40 & 80 Low Pressure Fabricated Fittings**



**Cross SCH 80- Reducer**

(Continued)

Socket X Socket X Socket X Socket



Part Number	Size	G	G1	H	H1	L	L1	M	M1	Approx. Wt. (Lbs.)
3920-794	18X14	12-3/4	13-9/16	21-3/4	20-9/16	43-1/2	41-1/8	19-7/8	15-1/2	173.13
3920-796	18X16	13-1/2	14-3/16	22-1/2	22-3/16	45	44-3/8	19-7/8	17-11/16	194.98
3920-814	20X4	7-11/16	12-7/8	17-11/16	15-1/8	35-3/8	30-1/4	22-1/16	5-3/16	133.05
3920-816	20X6	8-7/8	13-1/4	18-7/8	16-1/2	37-3/4	33	22-1/16	7-1/2	144.29
3920-818	20X8	9-7/8	14-1/8	19-7/8	18-3/8	39-3/4	36-3/4	22-1/16	9-5/8	157.86
3920-820	20X10	10-7/8	14-1/8	20-7/8	19-3/8	41-3/4	38-3/4	22-1/16	11-15/16	173.13
3920-822	20X12	11-7/8	14-1/8	21-7/8	20-3/8	43-3/4	40-3/4	22-1/16	14-1/8	195.00
3920-824	20X14	12-7/8	14-1/2	22-7/8	21-1/2	45-3/4	43	22-1/16	15-1/2	208.73
3920-826	20X16	14	15-1/8	24	23-1/8	48	46-1/4	22-1/16	17-11/16	238.04
3920-828	20X18	15	15	25	24	50	48	22-1/16	19-7/8	270.73
3920-904	24X4	9	14-11/16	21	16-15/16	42	33-7/8	26-7/16	5-3/16	209.09
3920-906	24X6	9-1/4	15-1/16	21-1/4	18-5/16	42-1/2	36-5/8	26-7/16	7-1/2	225.85
3920-908	24X8	10-1/4	15-15/16	22-1/4	20-3/16	44-1/2	40-3/8	26-7/16	9-5/8	242.28
3920-910	24X10	11-1/4	15-15/16	23-1/4	21-3/16	46-1/2	42-3/8	26-7/16	11-15/16	260.41
3920-912	24X12	12-1/4	15-15/16	24-1/4	22-3/16	48-1/2	44-3/8	26-7/16	14-1/8	287.11
3920-914	24X14	13-1/4	16-5/16	25-1/4	23-5/16	50-1/2	46-5/8	26-1/16	15-1/2	306.59
3920-916	24X16	14-3/4	16-15/16	26-3/4	24-15/16	53-1/2	49-7/8	26-7/16	17-11/16	340.20
3920-918	24X18	15-3/4	16-13/16	27-3/4	25-13/16	55-1/2	51-5/8	26-7/16	19-7/8	375.76
3920-920	24X20	16-3/4	18-3/16	28-3/4	28-3/16	57-1/2	56-3/8	26-7/16	22-1/16	422.57