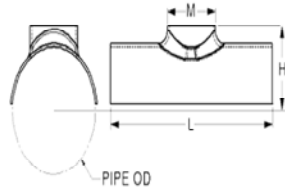


Fabricated Fittings Technical
PVC Low Head PIP Fabricated Fittings, Risers & Accessories



Saddle

Socket



Part Number	Size	H	L	M	Approx. Wt. (Lbs.)
280-101788	4X2	3	8-3/4	2-5/8	.40
280-101789	6X2	3-7/8	8-3/4	2-9/16	.52
280-101790	8X2	4-15/16	8-1/2	2-5/8	.52
280-101791	10X2	5-3/4	8-1/2	2-5/8	.55
280-101792	12X2	6-15/16	8-3/4	2-5/8	.52
280-101793	15X2	8-7/16	8-3/4	2-5/8	.52
280-101794	18X2	10-1/8	9	2-5/8	.55
280-101795	20X2	11-1/8	9	2-5/8	.57
280-101796	4X3	3	8	3-3/4	.44
280-101797	6X3	4-3/16	9	3-3/4	.57
280-101798	8X3	5-3/16	8-1/2	3-3/4	.50
280-101799	10X3	6-1/4	8-3/4	3-3/4	.52
280-101800	12X3	7-3/8	8-1/2	3-3/4	.50
280-101801	15X3	9	8-3/4	3-3/4	.48
280-101802	18X3	10-9/16	9	3-3/4	.81
280-101803	20X3	11-1/2	9	3-13/16	.72
280-101804	6X4	4-3/16	12	4-3/4	.77
280-101805	8X4	5-1/16	8-3/4	4-3/4	.62
280-101806	10X4	6-1/4	8-1/2	4-3/4	.59
280-101807	12X4	7-1/4	8-1/2	4-3/4	.60
280-101808	15X4	8-11/16	8-3/4	4-3/4	.66
280-101809	18X4	10-3/16	9	4-3/4	.66
280-101810	20X4	11-1/2	10-3/4	4-13/16	1.21
280-101811	8X6	5-3/8	10-3/4	6-3/8	.83
280-101812	10X6	6-1/2	10-1/2	6-3/8	.94
280-101813	12X6	7-1/2	10-1/2	6-3/8	.90
280-101814	15X6	9-1/16	10-3/4	6-3/8	1.03
280-101815	18X6	10-9/16	11	6-3/8	1.07
280-101816	20X6	11-9/16	10-3/4	6-3/8	1.01
280-101817	10X8	6-1/2	14	8-7/16	1.36
280-101818	12X8	7-5/8	13-1/2	8-7/16	1.48
280-101819	15X8	9-3/16	13-3/4	8-7/16	1.57
280-101820	18X8	10-11/16	13-1/2	8-7/16	1.51
280-101821	20X8	11-7/8	13-3/4	8-7/16	1.54
280-101822	12X10	8	17	10-7/16	2.09
280-101823	15X10	9-9/16	16-1/4	10-7/16	2.07
280-101824	18X10	11-1/16	16-1/2	10-7/16	1.98
280-101825	20X10	12-13/16	17	10-7/16	1.87
280-101826	15X12	9-7/16	19	12-9/16	3.92

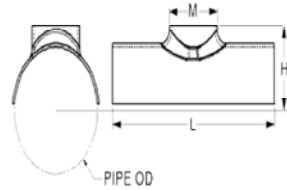


Fabricated Fittings Technical
PVC Low Head PIP Fabricated Fittings, Risers & Accessories

Saddle

(Continued)

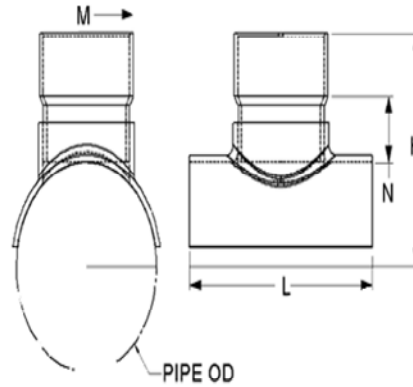
Socket



Part Number	Size	H	L	M	Approx. Wt. (Lbs.)
280-101827	18X12	11	19	12-5/8	3.59
280-101828	20X12	12-1/4	19-1/4	12-1/2	3.74
280-101829	18X15	11-1/4	25	15-11/16	6.56
280-101830	20X15	12-3/8	24-1/2	15-11/16	6.27
280-101831	20X18	12-3/16	29-1/2	18-13/16	11.66

Stub Saddle

Socket



Part Number	Size	H	L	M	N	Approx. Wt. (Lbs.)
280-101883	4X2	6-1/4	8-3/4	2-11/16	2-1/4	.67
280-101884	6X2	7-1/16	8-3/4	2-11/16	2-1/4	.79
280-101885	8X2	8-1/16	8-1/2	2-11/16	2-1/4	.79
280-101886	10X2	9-1/8	8-1/2	2-11/16	2-1/4	.81
280-101887	12X2	10-1/8	8-3/4	2-11/16	2-1/4	.88
280-101888	15X2	11-5/8	8-3/4	2-11/16	2-1/4	.79
280-101889	18X2	13-3/16	9	2-11/16	2-1/4	.88
280-101890	20X2	14-3/16	9	2-11/16	2-1/4	.83
280-101891	4X3	7-1/2	8	3-15/16	3	1.10
280-101892	6X3	8-5/16	9	3-15/16	3	1.21
280-101893	8X3	9-5/16	8-1/2	3-15/16	3	1.18
280-101894	10X3	10-3/8	8-3/4	3-15/16	3	1.18
280-101895	12X3	11-3/8	8-1/2	3-15/16	3	1.16
280-101896	15X3	12-7/8	8-3/4	3-15/16	3	1.18
280-101897	18X3	14-7/16	9	3-15/16	3	1.21
280-101898	20X3	15-7/16	9	3-15/16	3	1.38
280-101899	6X4	8-3/8	12	4-3/4	3-1/16	1.32
280-101900	8X4	9-3/8	8-3/4	4-3/4	3-1/16	1.07

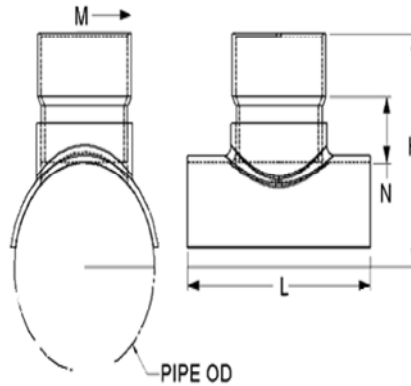
Fabricated Fittings Technical
PVC Low Head PIP Fabricated Fittings, Risers & Accessories



Stub Saddle

(Continued)

Socket



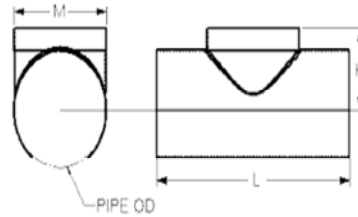
Part Number	Size	H	L	M	N	Approx. Wt. (Lbs.)
280-101901	10X4	10-7/16	8-1/2	4-3/4	3-1/16	1.10
280-101902	12X4	11-7/16	8-1/2	4-3/4	3-1/16	1.05
280-101903	15X4	12-15/16	8-3/4	4-3/4	3-1/16	1.07
280-101904	18X4	14-1/2	9	4-3/4	3-1/16	1.21
280-101905	20X4	15-1/2	10-3/4	4-3/4	3-1/16	1.54
280-101906	8X6	9-15/16	10-3/4	6-1/4	2-7/8	1.38
280-101907	10X6	11	10-1/2	6-1/4	2-7/8	1.54
280-101908	12X6	12	10-1/2	6-1/4	2-7/8	1.54
280-101909	15X6	13-1/2	10-3/4	6-1/4	2-7/8	1.58
280-101910	18X6	15-1/16	11	6-1/4	2-7/8	1.54
280-101911	20X6	16-1/16	10-3/4	6-1/4	2-7/8	1.54
280-101912	10X8	11-15/16	14	8-5/16	2-13/16	2.42
280-101913	12X8	12-15/16	13-1/2	8-5/16	2-13/16	2.31
280-101914	15X8	14-7/16	13-3/4	8-5/16	2-13/16	2.51
280-101915	18X8	16	13-1/2	8-5/16	2-13/16	2.37
280-101916	20X8	17	13-3/4	8-5/16	2-13/16	2.42
280-101917	12X10	14-15/16	17	10-7/16	3-13/16	3.74
280-101918	15X10	16-7/16	16-1/4	10-7/16	3-13/16	3.81
280-101919	18X10	18	16-1/2	10-7/16	3-13/16	3.83
280-101920	20X10	19	17	10-7/16	3-13/16	4.00
280-101921	15X12	16-7/16	19	12-7/16	3-13/16	6.01
280-101922	18X12	18	19	12-7/16	3-13/16	5.99
280-101923	20X12	19	19-1/4	12-7/16	3-13/16	6.43
280-101924	18X15	19	25	15-5/8	4-13/16	10.50
280-101925	20X15	20	24-1/2	15-5/8	4-13/16	10.68
280-101926	20X18	21	29-1/2	18-3/4	4-13/16	15.28



Fabricated Fittings Technical
PVC Low Head PIP Fabricated Fittings, Risers & Accessories

Low Head PIP Same Size Saddle

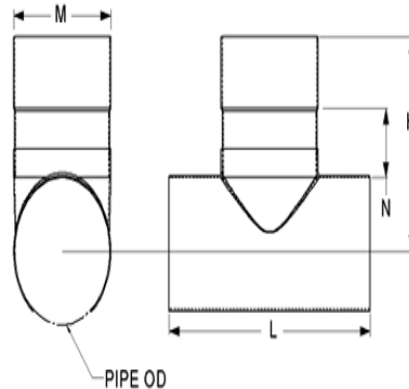
Socket



Part Number	Size	H	L	M	Approx. Wt. (Lbs.)
280-101937	6X6	4-1/4	13	6-1/4	.81
280-101938	8X8	5-9/16	16	8-5/16	1.51
280-101939	10X10	6-15/16	19	10-7/16	2.75
280-101940	12X12	8-1/8	22	12-1/2	4.09
280-101941	15X15	9-11/16	27	15-5/8	8.30
280-101942	18X18	11-3/8	32	18-3/4	13.81
280-101943	20X20	12-11/16	38	20-13/16	20.94

Low Head PIP Same Size Stub Saddle

Socket



Part Number	Size	H	L	M	N	Approx. Wt. (Lbs.)
280-101949	6X6	8-15/16	13	6-1/4	2-7/8	1.40
280-101950	8X8	10-7/8	16	8-5/16	2-13/16	2.37
280-101951	10X10	13-15/16	19	10-7/16	3-13/16	4.47
280-101952	12X12	14-15/16	22	12-7/16	3-13/16	7.04
280-101953	15X15	17-7/16	27	15-5/8	4-13/16	12.46
280-101954	18X18	20	32	18-3/4	4-13/16	20.85
280-101955	20X20	21-15/16	38	20-13/16	11-3/4	30.27