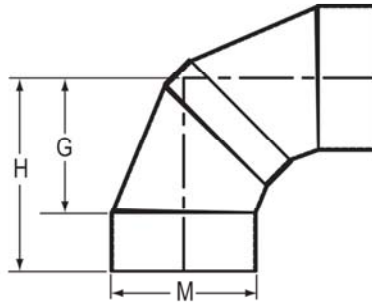




### Low Head PIP 90° Elbow

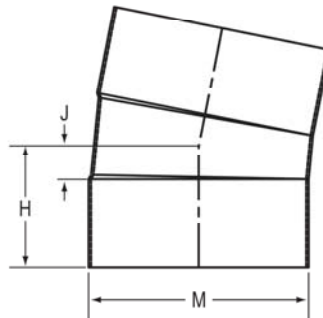
Socket x Socket



Part Number	Size	G	H	M	Approx. Wt. (Lbs.)
<a href="#">280-100812</a>	6	5-13/16	8-5/16	6-1/4	1.34
<a href="#">280-100813</a>	8	7-3/16	10-3/16	8-5/16	2.53
<a href="#">280-100814</a>	10	9-1/4	13-1/4	10-7/16	4.84
<a href="#">280-100815</a>	12	10-5/16	15-5/16	12-1/2	7.75
<a href="#">280-100816</a>	15	13-1/2	18-1/2	15-5/8	14.09
<a href="#">280-100817</a>	18	16-1/16	22-1/16	18-3/4	24.77
<a href="#">280-100818</a>	20	18-3/16	24-3/16	20-13/16	32.92

### Low Head PIP 11-1/4° Elbow

Socket x Socket



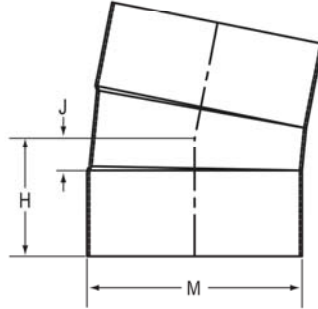
Part Number	Size	H	J	M	Approx. Wt. (Lbs.)
<a href="#">280-100114</a>	6	3-7/16	15/16	6-1/4	.61
<a href="#">280-100115</a>	8	4-1/16	1-1/16	8-5/16	1.04
<a href="#">280-100116</a>	10	5-3/8	1-3/8	10-7/16	2.09
<a href="#">280-100117</a>	12	6-1/2	1-1/2	12-1/2	3.82
<a href="#">280-100118</a>	15	7-1/4	2-1/4	15-5/8	6.21
<a href="#">280-100119</a>	18	8-11/16	2-11/16	18-3/4	10.04
<a href="#">280-100120</a>	20	9-1/16	3-1/16	20-13/16	13.19



**Fabricated Fittings Technical**  
**PVC Low Head PIP Fabricated Fittings, Risers & Accessories**

**Low Head PIP 15° Elbow**

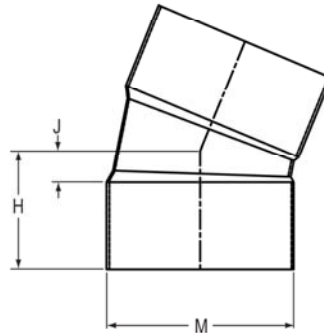
Socket x Socket



Part Number	Size	H	J	M	Approx. Wt. (Lbs.)
<a href="#">280-100234</a>	6	3-9/16	1-1/16	6-1/4	.74
<a href="#">280-100235</a>	8	4-3/16	1-3/16	8-5/16	1.10
<a href="#">280-100236</a>	10	5-9/16	1-9/16	10-7/16	2.35
<a href="#">280-100237</a>	12	6-11/16	1-11/16	12-1/2	3.87
<a href="#">280-100238</a>	15	7-9/16	2-9/16	15-5/8	6.49
<a href="#">280-100239</a>	18	9	3	18-3/4	11.84
<a href="#">280-100240</a>	20	9-3/8	3-3/8	20-13/16	15.85

**Low Head PIP 22-1/2° Elbow**

Socket x Socket

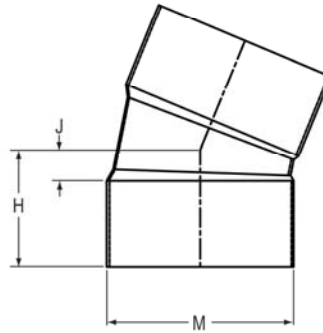


Part Number	Size	H	J	M	Approx. Wt. (Lbs.)
<a href="#">280-100354</a>	6	3-3/4	1-1/4	6-1/4	.66
<a href="#">280-100355</a>	8	4-7/16	1-7/16	8-5/16	1.21
<a href="#">280-100356</a>	10	5-15/16	1-15/16	10-7/16	2.42
<a href="#">280-100357</a>	12	7-1/8	2-1/8	12-1/2	3.74
<a href="#">280-100358</a>	15	8-1/16	3-1/16	15-5/8	6.76
<a href="#">280-100359</a>	18	9-5/8	3-5/8	18-3/4	12.18
<a href="#">280-100360</a>	20	10-1/8	4-1/8	20-12/16	15.85



### Low Head PIP 30° Elbow

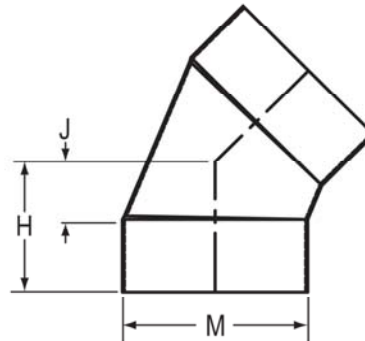
Socket x Socket



Part Number	Size	H	J	M	Approx. Wt. (Lbs.)
<a href="#">280-100474</a>	6	4	1-1/2	6-1/4	.63
<a href="#">280-100475</a>	8	4-3/4	1-3/4	8-5/16	1.10
<a href="#">280-100476</a>	10	6-5/16	2-5/16	10-7/16	2.59
<a href="#">280-100477</a>	12	7-9/16	2-9/16	12-1/2	3.78
<a href="#">280-100478</a>	15	8-5/8	3-5/8	15-5/8	7.22
<a href="#">280-100479</a>	18	10-5/16	4-5/16	18-3/4	13.71
<a href="#">280-100480</a>	20	10-7/8	4-7/8	20-13/16	15.52

### Low Head PIP 45° Elbow

Socket x Socket



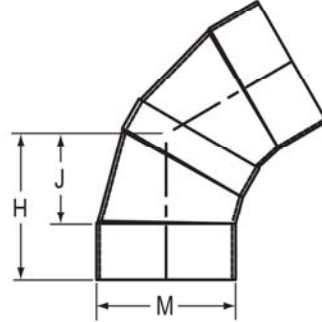
Part Number	Size	H	J	M	Approx. Wt. (Lbs.)
<a href="#">280-100592</a>	6	4-1/2	2	6-1/4	.72
<a href="#">280-100593</a>	8	5-3/8	2-3/8	8-5/16	1.32
<a href="#">280-100594</a>	10	7-1/8	3-1/8	10-7/16	2.64
<a href="#">280-100595</a>	12	8-9/16	3-9/16	12-1/2	4.58
<a href="#">280-100596</a>	15	9-7/8	4-7/8	15-5/8	8.03
<a href="#">280-100597</a>	18	11-3/4	5-3/4	18-3/4	14.53
<a href="#">280-100598</a>	20	12-1/2	6-1/2	20-13/16	17.73



**Fabricated Fittings Technical**  
**PVC Low Head PIP Fabricated Fittings, Risers & Accessories**

**Low Head PIP 60° Elbow**

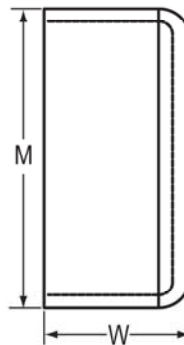
Socket x Socket



Part Number	Size	H	J	M	Approx. Wt. (Lbs.)
<a href="#">280-100702</a>	6	6-9/16	4-1/16	6-1/4	1.23
<a href="#">280-100703</a>	8	7-15/16	4-15/16	8-5/16	2.15
<a href="#">280-100704</a>	10	10-3/8	6-3/8	10-7/16	4.33
<a href="#">280-100705</a>	12	12	7	12-1/2	7.33
<a href="#">280-100706</a>	15	14-5/16	9-5/16	15-5/8	12.92
<a href="#">280-100707</a>	18	17-1/16	11-1/16	18-3/4	19.47
<a href="#">280-100708</a>	20	18-9/16	12-9/16	20-13/16	28.76

**Low Head PIP End Cap**

Socket



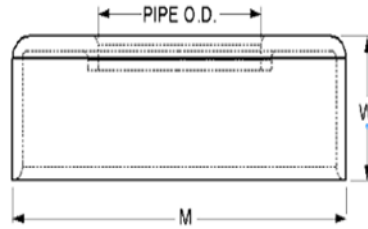
Part Number	Size	M	W	Approx. Wt. (Lbs.)
<a href="#">280-107539</a>	4 IPS	4-7/8	2-1/4	.35
<a href="#">280-107540</a>	6	6-7/16	2-1/2	.52
<a href="#">280-107541</a>	8	8-7/16	3-1/4	.88
<a href="#">280-107542</a>	10	10-9/16	3-3/8	1.65
<a href="#">280-107543</a>	12	12-5/8	4	2.62
<a href="#">280-107545</a>	15	15-11/16	4-3/4	3.96
<a href="#">280-107547</a>	18	18-3/4	3-5/16	4.64
<a href="#">280-107548</a>	20	20-3/4	2-3/4	4.22

Fabricated Fittings Technical  
**PVC Low Head PIP Fabricated Fittings, Risers & Accessories**



## Surface Reducer

Socket



Part Number	Size	M	W	Approx. Wt. (Lbs.)
280-102013	6X2	6-7/16	2-1/2	.49
280-102015	6X3	6-7/16	2-1/2	.50
280-102016	6X4	6-7/16	2-1/2	.46
280-102018	8X2	8-7/16	2-3/4	.79
280-102020	8X3	8-7/16	2-3/4	.82
280-102021	8X4	8-7/16	2-3/4	.88
280-102022	8X6	8-7/16	2-3/4	.79
280-102024	10X2	10-9/16	3-3/8	1.65
280-102026	10X3	10-9/16	3-3/8	1.62
280-102028	10X6	10-9/16	3-3/8	1.49
280-102027	10X4	10-9/16	3-3/8	1.58
280-102029	10X8	10-9/16	3-3/8	1.54
280-102031	12X2	12-5/8	4	2.48
280-102033	12X3	12-5/8	4	2.29
280-102034	12X4	12-5/8	4	2.46
280-102035	12X6	12-5/8	4	2.37
280-102036	12X8	12-5/8	4	2.62
280-102037	12X10	12-5/8	4	2.23
280-102048	15X2	15-11/16	4-3/4	3.83
280-102050	15X3	15-11/16	4-3/4	3.96
280-102051	15X4	15-11/16	4-3/4	3.94
280-102052	15X6	15-11/16	4-3/4	3.63
280-102053	15X8	15-11/16	4-3/4	3.96
280-102054	15X10	15-11/16	4-3/4	3.41
280-102055	15X12	15-11/16	4-3/4	3.32
280-102067	18X2	18-3/4	3-5/16	4.29
280-102069	18X3	18-3/4	3-5/16	4.51
280-102070	18X4	18-3/4	3-5/16	4.36
280-102071	18X6	18-3/4	3-5/16	4.64
280-102072	18X8	18-3/4	3-5/16	4.64
280-102073	18X10	18-3/4	3-5/16	3.94
280-102074	18X12	18-3/4	3-5/16	3.56
280-102075	18X15	18-3/4	3-5/16	3.19
280-102077	20X2	20-3/4	2-3/4	4.38
280-102136	20X3	20-3/4	2-3/4	4.29

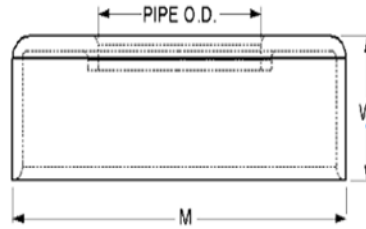


**Fabricated Fittings Technical**  
**PVC Low Head PIP Fabricated Fittings, Risers & Accessories**

**Surface Reducer**

(Continued)

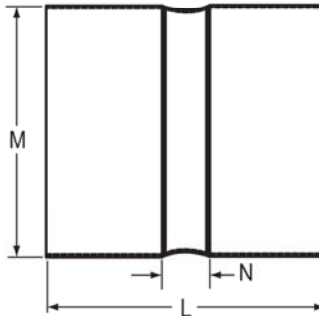
Socket



Part Number	Size	M	W	Approx. Wt. (Lbs.)
280-102137	20X4	20-3/4	2-3/4	4.31
280-102138	20X6	20-3/4	2-3/4	4.18
280-102139	20X8	14-3/4	2-3/4	4.75
280-102140	20X10	20-3/4	2-3/4	4.22
280-102141	20X12	20-3/4	2-3/4	4.22
280-102142	20X15	20-3/4	2-3/4	3.48
280-102143	20X18	20-3/4	2-3/4	2.75

**Low Head PIP Coupling**

Socket x Socket



Part Number	Size	L	M	N	Approx. Wt. (Lbs.)
280-100001	4 IPS	5-5/8	4-3/4	1-1/8	.48
280-100002	6	6-5/8	6-3/8	5/8	.66
280-100003	8	9	8-3/8	1	1.12
280-100004	10	10-5/8	10-7/16	5/8	2.40
280-100005	12	11-1/2	12-1/2	1-1/2	3.25
280-100006	15	11-3/4	15-5/8	1-3/4	5.15
280-100007	18	13-5/8	18-3/4	1-5/8	8.03
280-100008	20	15-1/2	20-13/16	2-1/2	11.32