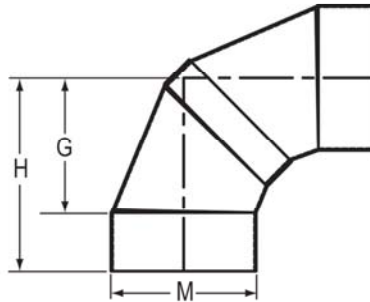




Low Head PIP 90° Elbow

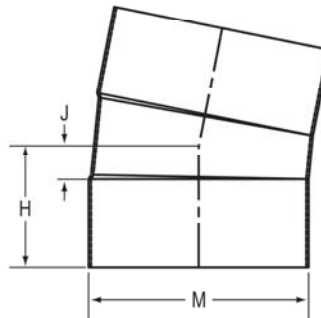
Socket x Socket



Part Number	Size	G	H	M	Approx. Wt. (Lbs.)
280-100812	6	5-13/16	8-5/16	6-1/4	1.34
280-100813	8	7-3/16	10-3/16	8-5/16	2.53
280-100814	10	9-1/4	13-1/4	10-7/16	4.84
280-100815	12	10-5/16	15-5/16	12-1/2	7.75
280-100816	15	13-1/2	18-1/2	15-5/8	14.09
280-100817	18	16-1/16	22-1/16	18-3/4	24.77
280-100818	20	18-3/16	24-3/16	20-13/16	32.92

Low Head PIP 11-1/4° Elbow

Socket x Socket



Part Number	Size	H	J	M	Approx. Wt. (Lbs.)
280-100114	6	3-7/16	15/16	6-1/4	.61
280-100115	8	4-1/16	1-1/16	8-5/16	1.04
280-100116	10	5-3/8	1-3/8	10-7/16	2.09
280-100117	12	6-1/2	1-1/2	12-1/2	3.82
280-100118	15	7-1/4	2-1/4	15-5/8	6.21
280-100119	18	8-11/16	2-11/16	18-3/4	10.04
280-100120	20	9-1/16	3-1/16	20-13/16	13.19