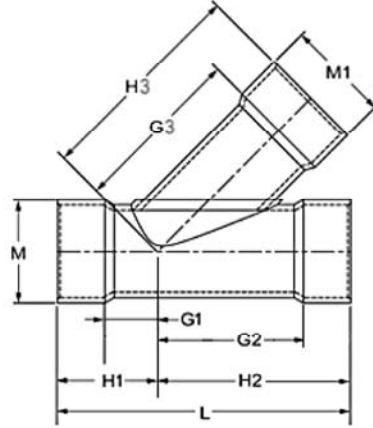


Fabricated Fittings Technical
PVC Schedule 40 & 80 DWV Fabricated Fittings



Wye SCH 40

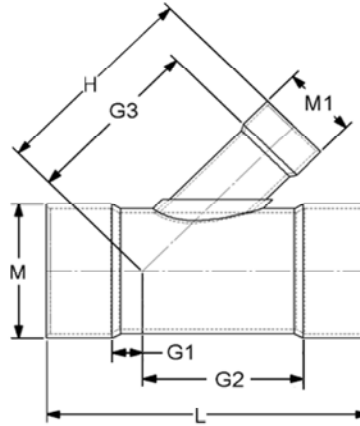
Socket x Socket x Socket



Part Number	Size	G1	G2	G3	H1	H2	H3	L	M	M1	Approx. Wt. (Lbs.)
3775-080	8	5-5/8	14-5/16	14-5/16	9-7/8	18-9/16	18-9/16	28-7/16	9- 1/4	9- 1/4	19.38
3775-100	10	6-9/16	17-1/4	17-1/4	11-13/16	22-1/2	22-1/2	34-5/16	11- 1/2	11- 1/2	33.03
3775-120	12	7-5/16	20-1/16	20-1/16	13-9/16	26-5/16	26-5/16	39-7/8	13-9/16	13-9/16	47.70
3775-140	14	7-3/16	21-3/16	21-3/16	14-3/16	28-3/16	28-3/16	42-3/8	14-7/8	14-7/8	62.40
3775-160	16	8-3/4	24-3/4	24-3/4	16-3/4	32-3/4	32-3/4	49-1/2	17	17	96.80
3775-180	18	9-7/16	27-7/16	27-7/16	18-7/16	36-7/16	36-7/16	54-7/8	19-1/8	19-1/8	130.11
3775-200	20	11-7/16	30-5/16	30-5/16	21-7/16	40-5/16	40-5/16	61-3/4	21-3/16	21-3/16	179.19
3775-240	24	11	35	35	23	47	47	70	25- 3/8	25-3/8	281.00

Wye SCH 40- Reducing

Socket X Socket X Socket



Part Number	Size	G1	G2	G3	H1	H2	H3	L	M	M1	Approx. Wt. (Lbs.)
3775-528	6X2	7/8	7-1/2	8-7/16	4-1/8	10-3/4	10-3/16	14-7/8	7-3/16	2-11/16	4.82
3775-530	6X3	1-13/16	8-7/16	9-9/16	5-1/16	11-11/16	11-13/16	16-3/4	7-3/16	3-15/16	6.10
3775-532	6X4	2-9/16	9-3/16	10-9/16	5-13/16	12-7/16	12-13/16	18-1/4	7-3/16	5	7.17
3775-578	8X2	9/16	9-3/16	9-3/4	4-13/16	13-7/16	11-1/2	18-1/4	9-1/4	2-11/16	9.22
3775-580	8X3	1- 5/16	9-15/16	10- 7/8	5-9/16	14-3/16	13-1/8	19-3/4	9-1/4	3-15/16	10.18
3775-582	8X4	2-1/16	10-11/16	11-7/8	6-5/16	14-15/16	14-1/8	21-1/4	9-1/4	5	11.25
3775-585	8X6	3-1/2	12-1/8	12-13/16	7-3/4	16-3/8	16-1/16	24-1/8	9- 1/4	7-3/16	14.58
3775-621	10X2	1/2	10- 1/4	11- 3/16	4-3/4	15-1/2	12-15/16	20-1/4	11-1/2	2-11/16	13.87
3775-623	10X3	1/2	11- 1/4	12- 5/16	5-3/4	16-1/2	14-9/16	22-1/4	11-1/2	3-15/16	15.55
3775-624	10X4	1- 7/16	12- 3/16	13- 5/16	6-11/16	17-7/16	15-9/16	24-1/8	11-1/2	5	17.78
3775-626	10X6	3-1/2	14-1/4	14-1/4	8-3/4	19-1/2	17-1/2	28-1/4	11-1/2	7-3/16	21.45

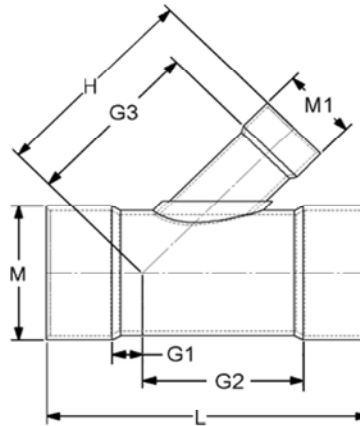


Fabricated Fittings Technical
PVC Schedule 40 & 80 DWV Fabricated Fittings

Wye SCH 40- Reducing

(Continued)

Socket X Socket X Socket



Part Number	Size	G1	G2	G3	H1	H2	H3	L	M	M1	Approx. Wt. (Lbs.)
3775-628	10X8	5-1/8	15-7/8	15-11/16	10-3/8	21-1/8	19-15/16	31-1/2	11-1/2	9-1/4	26.25
3775-661	12X2	1-1/8	11-5/8	12-9/16	5-1/8	17-7/8	14-5/16	23	13-9/16	2-11/16	21.50
3775-663	12X3	3/8	12-3/8	13-11/16	5-7/8	18-5/8	15-15/16	24-1/2	13-9/16	3-15/16	23.08
3775-664	12X4	3/8	13-1/8	14-11/16	6-5/8	19-3/8	16-15/16	26	13-9/16	5	24.51
3775-666	12X6	2-3/8	15-1/8	15-5/8	8-5/8	21-3/8	18-7/8	30	13-9/16	7-3/16	28.92
3775-668	12X8	3-7/8	16-5/8	17-1/16	10-1/8	22-7/8	21-5/16	33	13-9/16	9-1/4	34.32
3775-670	12X10	5-3/8	18-1/8	18-1/8	11-5/8	24-3/8	23-3/8	36	13-9/16	11-1/2	39.07
3775-691	14X2	2	12	13-7/16	5	19	15-3/16	24	14-7/8	2-11/16	25.63
3775-693	14X3	3/4	13-1/4	14-9/16	6-1/4	20-1/4	16-13/16	26-1/2	14-7/8	3-15/16	28.96
3775-694	14X4	0	14	15-9/16	7	21	17-13/16	28	14-7/8	5	30.11
3775-696	14X6	1-1/2	15-1/2	16-1/2	8-1/2	22-1/2	19-3/4	31	14-7/8	7-3/16	36.74
3775-698	14X8	3	17	17-15/16	10	24	22-3/16	34	14-7/8	9-1/8	39.66
3775-700	14X10	4-1/2	18-1/2	19	11-1/2	25-1/2	24-1/4	37	14-7/8	11-1/2	47.45
3775-702	14X12	7	21	20-15/16	14	28	27-3/16	42	14-7/8	13-9/16	56.10
3775-751	16X2	2	14	14-3/4	6	22	16-1/2	28	17	2-11/16	37.77
3775-753	16X3	1-1/8	14-7/8	15-7/8	6-7/8	22-7/8	18-1/8	29-3/4	17	3-15/16	40.96
3775-754	16X4	1/2	15-1/2	16-7/8	7-1/2	23-1/2	19-1/8	31	17	5	42.87
3775-756	16X6	1-7/8	17-7/8	17-13/16	9-7/8	25-7/8	21-1/16	35-3/4	17	7-3/16	51.01
3775-758	16X8	2-1/2	18-1/2	19-1/4	10-1/2	26-1/2	23-1/2	37	17	9-1/4	55.21
3775-760	16X10	4	20	20-5/16	12	28	25-9/16	40	17	11-1/2	62.96
3775-762	16X12	5-1/2	21-1/2	22-1/4	13-1/2	29-1/2	28-1/2	43	17	13-9/16	72.52
3775-764	16X14	6-3/8	22-3/8	22-1/2	14-3/8	30-3/8	29-1/2	44-3/4	17	14-7/8	78.54
3775-784	18X4	1-1/8	16-7/8	18-3/16	7-7/8	25-7/8	20-7/16	33-3/4	19-1/8	5	58.70
3775-786	18X6	7/8	18-7/8	19-1/8	9-7/8	27-7/8	22-3/8	37-3/4	19-1/8	7-3/16	67.73
3775-788	18X8	2-3/8	20-3/8	20-9/16	11-3/8		24-13/16	42-3/4	19-1/8	9-1/4	74.82
3775-790	18X10	3-3/8	21-3/8	21-5/8	12-3/8	30-3/8	26-7/8	42-3/4	19-1/8	11-1/2	83.99
3775-792	18X12	4-7/8	22-7/8	23-9/16	13-7/8	31-7/8	29-13/16	45-3/4	19-1/8	13-9/16	93.61
3775-794	18X14	5-3/8	23-3/8	23-13/16	14-3/8	32-3/8	30-13/16	46-3/4	19-1/8	14-7/8	97.13
3775-796	18X16	7-7/8	25-7/8	26-1/16	16-7/8	34-7/8	34-1/16	51-3/4	19-1/8	17	117.59
3775-814	20X4	1-5/8	18-3/8	19-9/16	8-3/8	28-3/8	21-13/16	36-3/4	21-3/16	5	76.39
3775-816	20X6	1/8	19-7/8	20-1/2	9-7/8	29-7/8	23-3/4	39-3/4	21-3/16	7-3/16	86.04
3775-818	20X8	1-3/8	21-3/8	21-15/16	11-3/8	31-3/8	26-3/16	42-3/4	21-3/16	9-1/4	92.81
3775-820	20X10	2-3/8	22-3/8	23	12-3/8	32-3/8	28-1/4	44-3/4	21-3/16	11-1/2	103.32
3775-822	20X12	4-3/8	24-3/8	24-15/16	14-3/8	34-3/8	31-3/16	48-3/4	21-3/16	13-9/16	117.43
3775-824	20X14	4-7/8	24-7/8	25-3/16	14-7/8	34-7/8	32-3/16	49-3/4	21-3/16	14-7/8	115.85

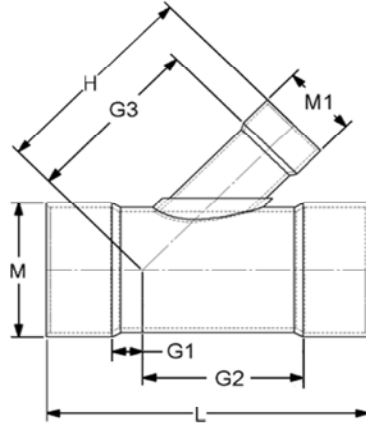
Fabricated Fittings Technical
PVC Schedule 40 & 80 DWV Fabricated Fittings



Wye SCH 40- Reducing

(Continued)

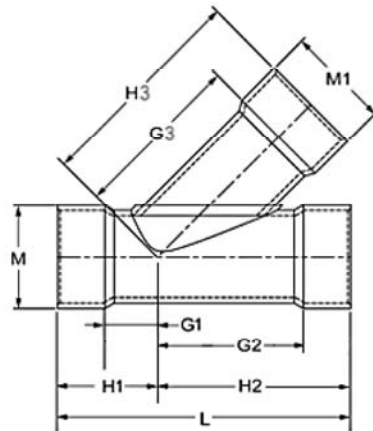
Socket X Socket X Socket



Part Number	Size	G1	G2	G3	H1	H2	H3	L	M	M1	Approx. Wt. (Lbs.)
3775-826	20X16	6-3/8	26-3/8	27-7/16	16-3/8	36-3/8	35-7/16	52-3/4	21-3/16	17	129.51
3775-828	20X18	7-7/8	27-7/8	28-13/16	17-7/8	37-7/8	37-13/16	55-3/4	21-3/16	19-1/8	154.18
3775-904	24X4	2-7/8	21-1/8	22-1/4	9-1/8	33-1/8	24-1/2	42-1/4	25-3/8	5	122.13
3775-906	24X6	1-1/4	22-3/4	23-3/16	10-3/4	34-3/4	26-7/16	45-1/2	25-3/8	7-3/16	135.22
3775-908	24X8	1/4	24-1/4	24-5/8	12-1/4	36-1/4	28-7/8	48-1/2	25-3/8	9-1/4	143.17
3775-910	24X10	1-3/8	25-3/8	25-11/16	13-3/8	37-3/8	30-15/16	50-3/4	25-3/8	11-1/2	156.44
3775-912	24X12	3-1/4	27-1/4	27-5/8	15-1/4	39-1/4	33-7/8	54-1/2	25-3/8	13-9/16	173.71
3775-914	24X14	4	28	27-7/8	16	40	34-7/8	56	25-3/8	14-7/8	180.61
3775-916	24X16	6-3/8	30-3/8	30-1/8	18-3/8	42-3/8	38-1/8	60-3/4	25-3/8	17	205.08
3775-918	24X18	7-7/8	31-7/8	31-1/2	19-7/8	43-7/8	40-1/2	63-3/4	25-3/8	19-1/8	226.21
3775-920	24X20	9-1/8	33-1/8	33	21-1/8	45-1/8	43	66-1/4	25-3/8	21-3/16	233.81

Wye SCH 80

Socket x Socket x Socket



Part Number	Size	G1	G2	G3	H1	H2	H3	L	M	M1	Approx. Wt. (Lbs.)
3975-020	2	3-15/16	6-5/16	5-5/8	5-7/16	7-13/16	7-3/16	13-1/4	2-7/8	2-7/8	2.09
3975-030	3	4-7/8	8-3/8	8-3/8	6-3/4	10-1/4	10-1/4	17	4-3/16	4-3/16	5.52
3975-040	4	4-11/16	9-3/16	9-3/16	6-15/16	11-7/16	11-7/16	18-3/8	5-3/16	5-3/16	6.67
3975-060	6	4-15/16	11-9/16	12-5/8	8-3/16	14-13/16	15-7/8	23	7-1/2	7-1/2	15.77
3975-080	8	5-1/16	13-11/16	15-7/8	9-5/16	17-15/16	20-1/8	27-1/4	9-5/8	9-5/8	28.50
3975-100	10	6-1/2	17-1/4	18-7/8	11-3/4	22-1/2	24-1/8	34-1/4	11-15/16	11-15/16	53.98
3975-120	12	7-1/8	19-7/8	21-13/16	13-3/8	26-1/8	28-1/16	39-1/2	14-1/8	14-1/8	82.92
3975-140	14	9-13/16	23-13/16	23-13/16	16-13/16	30-13/16	30-13/16	47-5/8	15-1/2	15-1/2	116.93

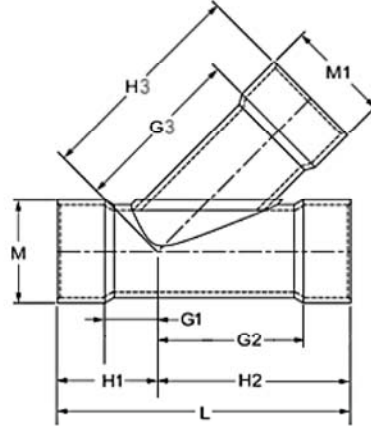


Fabricated Fittings Technical
PVC Schedule 40 & 80 DWV Fabricated Fittings

Wye SCH 80

Socket x Socket x Socket

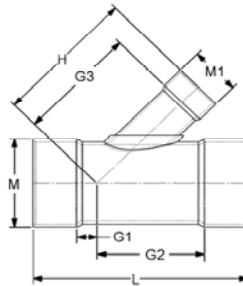
(Continued)



Part Number	Size	G1	G2	G3	H1	H2	H3	L	M	M1	Approx. Wt. (Lbs.)
3975-160	16	10-1/8	26-1/8	26-1/8	18-1/8	34-1/8	34-1/8	52-1/4	17-11/16	17-11/16	164.14
3975-180	18	10	28	29-3/8	19	37	38-3/8	56	19-7/8	19-7/8	227.53
3975-200	20	11-5/8	31-5/8	31-5/8	21-5/8	41-5/8	41-5/8	63-1/4	22-1/16	21-1/16	290.99
3975-240	24	14-1/4	38-1/4	38-1/4	26-1/4	50-1/4	50-1/4	76-1/2	26-7/16	26-7/16	617.50

Wye SCH 80-Reducing

Socket X Socket X Socket



Part Number	Size	G1	G2	G3	H1	H2	H3	L	M	M1	Approx. Wt. (Lbs.)
3975-338	3X2	4	7-1/2	7-1/16	5-7/8	9-3/8	8-9/16	15-1/4	4-3/16	2-7/8	4.09
3975-420	4X2	2-1/4	6-3/4	7-13/16	4-1/2	9	9-9/16	13-1/2	5-3/16	2-13/16	3.85
3975-422	4X3	4-13/16	9-5/16	9	7-1/16	11-9/16	10-15/16	18-5/8	5-1/4	4-3/16	7.66
3975-528	6X2	1-15/16	8-9/16	9-3/16	5-3/16	11-13/16	10-15/16	17	7-1/2	2-13/16	8.59
3975-530	6X3	2-15/16	9-9/16	10-5/16	6-3/16	12-13/16	12-9/16	19	7-1/2	4-1/8	10.57
3975-532	6X4	3-15/16	10-9/16	10-9/16	7-3/16	13-13/16	12-13/16	21	7-1/2	5-3/16	11.89
3975-578	8X2	7/8	9-1/2	10-1/2	5-1/8	13-3/4	12-1/4	18-7/8	9-5/8	2-13/16	14.38
3975-580	8X3	1-15/16	10-9/16	11-5/8	6-3/16	14-13/16	13-7/8	21	9-5/8	4-1/8	16.18
3975-582	8X4	2-15/16	11-9/16	11-7/8	7-3/16	15-13/16	14-1/8	23	9-5/8	5-3/16	18.50
3975-585	8X6	4-15/16	13-9/16	13-15/16	9-3/16	17-13/16	17-3/16	27	9-5/8	7-1/2	23.89
3975-621	10X2	1/4	10-1/2	11-7/8	5	15-3/4	13-5/8	20-3/4	11-15/16	2-13/16	22.53
3975-623	10X3	3/4	11-1/2	13	6	16-3/4	15-1/4	22-3/4	11-15/16	4-1/8	25.08
3975-624	10X4	1-3/4	12-1/2	13-1/4	7	17-3/4	15-1/2	24-3/4	11-15/16	5-3/16	29.97
3975-626	10X6	3-3/4	14-1/2	15-5/16	9	19-3/4	18-9/16	28-3/4	11-15/16	7-1/2	35.64
3975-628	10X8	5-1/4	16	17-1/4	10-1/2	21-1/4	21-1/2	31-3/4	11-15/16	9-5/8	42.66
3975-661	12X2	1-5/16	11-7/16	13-3/16	4-15/16	17-11/16	14-15/16	22-5/8	14-1/8	2-13/16	35.42
3975-663	12X3	1/8	12-7/8	14-5/16	6-3/8	19-1/8	16-9/16	25-1/2	14-1/8	4-1/8	40.57
3975-664	12X4	5/8	13-3/8	14-9/16	6-7/8	19-5/8	16-13/16	26-1/2	14-1/8	5-3/16	41.42
3975-666	12X6	2-5/8	15-3/8	16-5/8	8-7/8	21-5/8	19-7/8	30-1/2	14-1/8	7-1/2	49.55

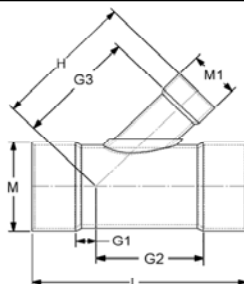
Fabricated Fittings Technical
PVC Schedule 40 & 80 DWV Fabricated Fittings



Wye SCH 80-Reducing

Socket X Socket X Socket

(Continued)



Part Number	Size	G1	G2	G3	H1	H2	H3	L	M	M1	Approx. Wt. (Lbs.)
3975-668	12X8	4-1/4	17	18-9/16	10-1/2	23-1/4	22-13/16	33-3/4	14-1/8	9-5/8	58.02
3975-670	12X10	5-3/4	18-1/2	20-3/16	12	24-3/4	25-7/16	36-3/4	14-1/8	11-15/16	73.99
3975-691	14X2	1/4	13-3/4	13-15/16	6-3/4	20-3/4	15-11/16	27-1/2	15-1/2	2-13/16	48.50
3975-693	14X3	1/2	14-1/2	15-1/16	7-1/2	21-1/2	17-5/16	29	15-1/2	4-1/8	52.61
3975-694	14X4	1-1/4	15-1/4	15-5/16	8-1/4	22-1/4	17-9/16	30-1/2	15-1/2	5-3/16	55.06
3975-696	14X6	2	16	17-3/8	9	23	20-5/8	32	15-1/2	7-1/2	63.05
3975-698	14X8	4-1/4	18-1/4	19-5/16	11-1/4	25-1/4	23-9/16	36-1/2	15-1/2	9-5/8	73.63
3975-700	14X10	5-3/4	19-3/4	20-15/16	12-3/4	26-3/4	26-3/16	39-1/2	15-1/2	11-15/16	86.16
3975-702	14X12	7-1/4	21-1/4	22-9/16	14-1/4	28-1/4	28-13/16	42-1/2	15-1/2	14-1/8	99.99
3975-751	16X2	7/8	15-1/8	15-1/4	7-1/8	23-1/8	17	30-1/4	17-11/16	2-13/16	68.49
3975-753	16X3	1/8	15-7/8	16-3/8	7-7/8	23-7/8	18-5/8	31-3/4	17-11/16	4-1/8	73.54
3975-754	16X4	1-1/8	17-1/8	16-5/8	9-1/8	25-1/8	18-7/8	34-1/4	17-11/16	5-3/16	78.83
3975-756	16X6	1-5/8	17-5/8	18-11/16	9-5/8	25-5/8	21-15/16	35-1/4	17-11/16	7-1/2	84.36
3975-758	16X8	3-5/8	19-5/8	20-5/8	11-5/8	27-5/8	24-7/8	39-1/4	17-11/16	9-5/8	96.95
3975-760	16X10	5-1/8	21-1/8	22-1/4	13-1/8	29-1/8	27-1/2	42-1/4	17-11/16	11-15/16	116.24
3975-762	16X12	6-1/2	22-1/2	23-7/8	14-1/2	30-1/2	30-1/8	45	17-11/16	14-1/8	126.99
3975-764	16X14	7-7/8	23-7/8	25-1/8	15-7/8	13-7/8	32-1/8	47-3/4	17-11/16	15-1/2	143.94
3975-784	18X4	0	18	17-7/8	9	27	20-1/8	36	19-7/8	5-3/16	108.11
3975-786	18X6	3/8	18-9/16	20-1/8	9-3/8	27-9/16	23-3/8	36-15/16	19-7/8	7-1/2	120.96
3975-788	18X8	3	21	21-7/8	12	30	26-1/8	42	19-7/8	9-5/8	127.05
3975-790	18X10	4-1/2	22-1/2	23-1/2	13-1/2	31-1/2	28-3/4	45	19-7/8	11-15/16	141.29
3975-792	18X12	6	24	25-1/8	15	33	31-3/8	48	19-7/8	14-1/8	160.66
3975-794	18X14	7	25	26-3/8	16	34	33-3/8	50	19-7/8	15-1/2	183.30
3975-796	18X16	8-1/2	26-1/2	27-3/8	17-1/2	35-1/2	35-3/8	53	19-7/8	17-11/16	196.01
3975-814	20X4	1	19	19-3/16	9	29	21-7/16	38	22-1/16	5-3/16	142.60
3975-816	20X6	1/8	19-7/8	21-1/4	9-7/8	29-7/8	24-1/2	39-3/4	22-1/16	7-1/2	153.83
3975-818	20X8	2-5/8	22-5/8	23-3/16	12-5/8	32-5/8	27-7/16	45-1/4	22-1/16	9-5/8	160.69
3975-820	20X10	4-1/8	24-1/8	24-13/16	14-1/8	34-1/8	30-1/16	48-1/4	22-1/16	11-15/16	192.96
3975-822	20X12	5-5/8	25-5/8	26-7/16	15-5/8	35-5/8	32-11/16	51-1/4	22-1/16	14-1/8	215.12
3975-824	20X14	7-1/8	27-1/8	27-11/16	17-1/8	37-1/8	34-11/16	54-1/4	22-1/16	15-1/2	232.91
3975-826	20X16	8-1/2	28-1/2	28-11/16	18-1/2	38-1/2	36-11/16	57	22-1/16	17-11/16	246.03
3975-828	20X18	10-1/8	30-1/8	30-11/16	20-1/8	40-1/8	39-11/16	60-1/4	22-1/16	19-7/8	293.75
3975-904	24X4	3	21	21-3/4	9	33	24	42	26-7/16	5-3/16	220.74
3975-906	24X6	7/8	23-1/8	23-13/16	11-1/8	35-1/8	27-1/16	46-1/4	26-7/16	7-1/2	248.39
3975-908	24X8	1-3/4	25-3/4	25-3/4	13-3/4	37-3/4	30	51-1/2	26-7/16	9-5/8	278.26
3975-910	24X10	3-1/4	27-1/4	27-3/8	15-1/4	39-1/4	32-5/8	54-1/2	26-7/16	11-15/16	299.97
3975-912	24X12	4-3/4	28-3/4	29	16-3/4	40-3/4	35-1/4	57-1/2	26-7/16	14-1/8	326.44
3975-914	24X14	6-1/4	30-1/4	30-1/4	18-1/4	42-1/4	37-1/4	60-1/2	26-7/16	15-1/2	343.67
3975-916	24X16	7-3/4	31-3/4	31-1/4	19-3/4	43-3/4	39-1/4	63-1/2	26-7/16	17-11/16	375.40

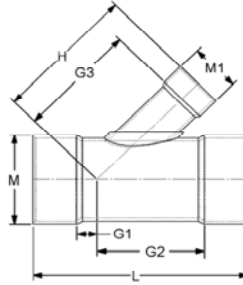


Fabricated Fittings Technical
PVC Schedule 40 & 80 DWV Fabricated Fittings

Wye SCH 80-Reducing

Socket X Socket X Socket

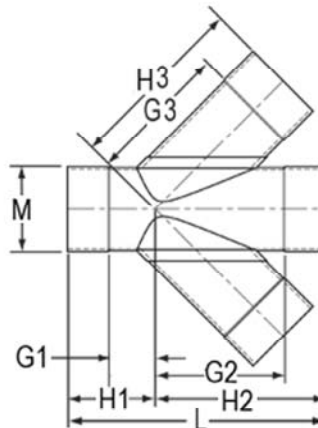
(Continued)



Part Number	Size	G1	G2	G3	H1	H2	H3	L	M	M1	Approx. Wt. (Lbs.)
3975-918	24X18	9-1/4	33-1/4	33-1/4	21-1/4	45-1/4	42-1/4	66-1/2	26-7/16	19-7/8	417.96
3975-920	24X20	9-5/8	33-5/8	34-3/16	21-5/8	45-5/8	44-3/16	67-1/4	26-7/16	22-1/16	381.21

Double Wye SCH 40

Socket x Socket x Socket x Socket



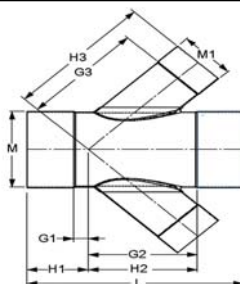
Part Number	Size	G1	G2	G3	H1	H2	H3	L	M	Approx. Wt. (Lbs.)
3776-060	6	4-7/8	11-1/2	11-1/2	8-1/8	14-3/4	14-3/4	22-7/8	7-3/16	12.98
3776-080	8	5-5/8	14-5/16	14-5/16	9-7/8	18-9/16	18-9/16	28-7/16	9-1/4	24.22
3776-100	10	6-9/16	17-1/4	17-1/4	11-13/16	22-1/2	22-1/2	34-5/16	11-1/2	41.43
3776-120	12	7-5/16	20-1/16	20-1/16	13-9/16	26-5/16	26-5/16	39-7/8	13-9/16	63.77
3776-140	14	7-3/16	21-3/16	21-3/16	14-3/16	28-3/16	28-3/16	42-3/8	14-7/8	81.80
3776-160	16	8-3/4	24-3/4	24-3/4	16-3/4	32-3/4	32-3/4	49-1/2	17	131.64
3776-180	18	9-7/16	27-7/16	27-7/16	18-7/16	36-7/16	36-7/16	54-7/8	19-1/8	186.98
3776-200	20	11-7/16	30-5/16	30-5/16	21-7/16	40-5/16	40-5/16	61-3/4	21-3/16	232.31
3776-240	24	11	35	35	23	47	47	70	25-3/8	471.12

Fabricated Fittings Technical
PVC Schedule 40 & 80 DWV Fabricated Fittings



Double Wye SCH 40- Reducing

Socket X Socket X Socket X Socket



Part Number	Size	G1	G2	G3	H1	H2	H3	L	M	M1	Approx. Wt. (Lbs.)
3776-528	6X2	7/8	7- 1/2	8- 7/16	4-1/8	10-3/4	10-3/16	14-7/8	7-3/16	2-11/16	5.46
3776-530	6X3	1-13/16	8- 7/16	9- 9/16	5-1/16	11-11/16	11-13/16	16-3/4	7-3/16	3-15/16	7.22
3776-532	6X4	2-9/16	9-3/16	10-9/16	5-13/16	12-7/16	12-13/16	18- 1/4	7- 3/16	5	8.74
3776-578	8X2	9/16	9- 3/16	9- 3/4	4-13/16	13-7/16	11-1/2	18-1/4	9-1/4	2-11/16	10.14
3776-580	8X3	1- 5/16	9-15/16	10- 7/8	5-9/16	14-3/16	13-1/8	19-3/4	9-1/4	3-15/16	11.11
3776-582	8X4	2- 1/16	10-11/16	11- 7/8	6-5/16	14-15/16	14-1/8	21-1/4	9-1/4	5	12.82
3776-585	8X6	3- 1/2	12- 1/8	12-13/16	7-3/4	16-3/8	16-1/16	24-1/8	9-1/4	7-3/16	17.50
3776-621	10X2	1/2	10- 1/4	11- 3/16	4-3/4	15-1/2	12-15/16	20-1/4	11-1/2	2-11/16	14.59
3776-623	10X3	1/2	11- 1/4	12- 5/16	5-3/4	16-1/2	14-9/16	22-1/4	11-1/2	3-15/16	16.31
3776-624	10X4	1- 7/16	12- 3/16	13- 5/16	6-11/16	17-7/16	15-9/16	24-1/8	11-1/2	5	18.82
3776-626	10X6	3- 1/2	14- 1/4	14- 1/4	8-3/4	19-1/2	17-1/2	28-1/4	11-1/2	7-3/16	24.08
3776-628	10X8	5- 1/8	15- 7/8	15-11/16	10-3/8	15-7/8	19-15/16	31-1/2	11-1/2	9-1/4	31.98
3776-661	12X2	1- 1/8	11- 5/8	12- 9/16	5-1/8	17-7/8	14-5/16	23	13-9/16	2-11/16	20.67
3776-663	12X3	3/8	12- 3/8	13-11/16	5-7/8	18-5/8	15-15/16	24-1/2	13-9/16	3-15/16	22.90
3776-664	12X4	3/8	13- 1/8	14-11/16	6-5/8	19-3/8	16-15/16	26	13-9/16	5	25.49
3776-666	12X6	2- 3/8	15- 1/8	15- 5/8	8-5/8	21-3/8	18-7/8	30	13-9/16	7-3/16	32.16
3776-668	12X8	3- 7/8	16- 5/8	17- 1/16	10-1/8	22-7/8	21-5/16	33	13-9/16	9-1/4	39.97
3776-670	12X10	5- 3/8	18- 1/8	18- 1/8	11-5/8	24-3/8	23-3/8	36	13-9/16	11-1/2	50.10
3776-691	14X2	2	12	13- 7/16	5	19	15-3/16	24	14-7/8	2-11/16	26.74
3776-693	14X3	3/4	13- 1/4	14- 9/16	6-1/4	20-1/4	16-13/16	26-1/2	14-7/8	3-15/16	30.99
3776-694	14X4	0	14	15- 9/16	7	21	17-13/16	28	14-7/8	5	33.17
3776-696	14X6	1- 1/2	15- 1/2	16- 1/2	8-1/2	22-1/2	19-3/4	31	14-7/8	7-3/16	39.10
3776-698	14X8	3	17	17-15/16	10	24	22-3/16	34	14-7/8	9-1/4	49.74
3776-700	14X10	4- 1/2	18- 1/2	19	11-1/2	25-1/2	23-1/4	37	14-7/8	11-1/2	60.04
3776-702	14X12	7	21	20-15/16	14	28	27-3/16	42	14-7/8	13-9/16	76.15
3776-751	16X2	2	14	14-3/4	6	22	16-1/2	28	17	2-11/16	38.14
3776-753	16X3	1-1/8	14-7/8	15-7/8	6-7/8	22-7/8	18-1/8	29-3/4	17	3-15/16	44.05
3776-754	16X4	1/2	15-1/2	16-7/8	7-1/2	23-1/2	19-1/8	31	17	5	45.08
3776-756	16X6	1-7/8	17-7/8	17-13/16	9-7/8	25-7/8	21-1/16	35-3/4	17	7-3/16	57.05
3776-758	16X8	2-1/2	18-1/2	19-1/4	10-1/2	26-1/2	23-1/2	37	17	9-1/4	61.98
3776-760	16X10	4	20	20-5/16	12	28	25-9/16	40	17	11-1/2	72.38
3776-762	16X12	5-1/2	21-1/2	22-1/4	13-1/2	29-1/2	28-1/2	43	17	13-9/16	85.04
3776-764	16X14	6-3/8	22-3/8	22-1/2	14-3/8	30-3/8	29-1/2	44-3/4	17	14-7/8	101.94
3776-784	18X4	1-1/8	16-7/8	18-3/16	7-7/8	25-7/8	20-7/16	33-3/4	19-1/8	5	63.10
3776-786	18X6	7/8	18-7/8	19-1/8	9-7/8	27-7/8	22-3/8	37-3/4	19-1/8	7-3/16	73.74
3776-788	18X8	2-3/8	20-3/8	20-9/16	11-3/8	29-3/8	24-13/16	40-3/4	19- 1/8	9- 1/4	85.44
3776-790	18X10	3-3/8	21-3/8	21-5/8	12-3/8	30-3/8	26-7/8	42-3/4	19-1/8	11-1/2	94.94
3776-792	18X12	4- 7/8	22-7/8	23-9/16	13- 7/8	31-7/8	29-13/16	45- 3/4	19- 1/8	13-9/16	113.98
3776-794	18X14	5-3/8	23-3/8	23-13/16	14-3/8	32-3/8	30-13/16	46-3/4	19-1/8	14-7/8	117.29

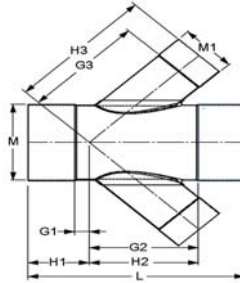


Fabricated Fittings Technical
PVC Schedule 40 & 80 DWV Fabricated Fittings

Double Wye SCH 40- Reducing

(Continued)

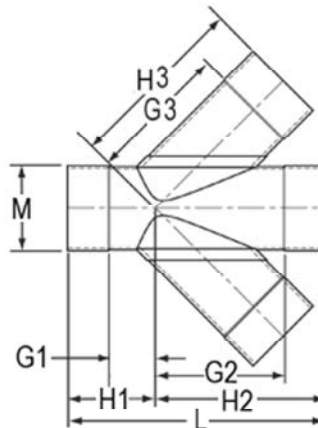
Socket X Socket X Socket X Socket



Part Number	Size	G1	G2	G3	H1	H2	H3	L	M	M1	Approx. Wt. (Lbs.)
3776-796	18X16	7-7/8	25-7/8	26-1/16	16-7/8	34-7/8	34-1/16	51-3/4	19-1/8	17	147.96
3776-814	20X4	1-5/8	18-3/8	19-9/16	8-3/8	28-3/8	21-13/16	36-3/4	21-3/16	5	77.87
3776-816	20X6	1/8	19-7/8	20-1/2	9-7/8	29-7/8	23-3/4	39-3/4	21-3/16	7-3/16	86.59
3776-818	20X8	1-3/8	31-3/8	21-15/16	11-3/8	31-3/8	26-3/16	42-3/4	21-3/16	9-1/4	100.01
3776-820	20X10	2-3/8	22-3/8	23	12-3/8	32-3/8	28-1/4	44-3/4	21-3/16	11-1/2	110.02
3776-822	20X12	4-3/8	24-3/8	24-15/16	14-3/8	34-3/8	31-3/16	48-3/4	21-3/16	13-9/16	1308.37
3776-824	20X14	4-7/8	24-7/8	25-3/16	14-7/8	34-7/8	32-3/16	49-3/4	21-3/16	14-7/8	141.94
3776-826	20X16	6-3/8	26-3/8	27-7/16	16-3/8	36-3/8	35-7/16	52-3/4	21-3/16	17	175.28
3776-828	20X18	7-7/8	27-7/8	28-13/16	17-7/8	37-7/8	37-13/16	55-3/4	21-3/16	19-1/8	205.61
3776-904	24X4	2-7/8	21-1/8	22-1/4	9-1/8	33-1/8	24-1/2	42-1/4	25-3/8	5	126.45
3776-906	24X6	1-1/4	22-3/4	23-3/16	10-3/4	34-3/4	26-7/16	45-1/2	25-3/8	7-3/16	137.67
3776-908	24X8	1/4	24-1/4	24-5/8	12-1/4	36-1/4	28-7/8	48-1/2	25-3/8	9-1/4	153.61
3776-910	24X10	1-3/8	25-3/8	25-11/16	13-3/8	37-3/8	30-15/16	50-3/4	25-3/8	11-1/2	165.28
3776-912	24X12	3-1/4	27-1/4	27-5/8	15-1/4	39-1/4	33-7/8	54-1/2	25-3/8	13-9/16	188.53
3776-914	24X14	4	28	27-7/8	16	40	34-7/8	56	25-3/8	14-7/8	201.38
3776-916	24X16	6-3/8	30-3/8	30-1/8	18-3/8	42-3/8	38-1/8	60-3/4	25-3/8	17	234.27
3776-918	24X18	7-7/8	31-7/8	31-1/2	19-7/8	43-7/8	40-1/2	63-3/4	25-3/8	19-1/8	272.57
3776-920	24X20	9-1/8	33-1/8	33	21-1/8	45-1/8	43	66-1/4	25-3/8	21-3/16	300.94

Double Wye SCH 80

Socket x Socket x Socket x Socket



Part Number	Size	G1	G2	G3	H1	H2	H3	L	M	Approx. Wt. (Lbs.)
3976-020	2	3-15/16	6-5/16	5-5/8	5-7/16	7-13/16	7-3/16	13-1/4	2-7/8	2.88
3976-030	3	4-3/4	8-1/4	8-1/4	6-5/8	10-3/16	10-3/16	16-13/16	4-3/16	7.37
3976-040	4	4-11/16	9-3/16	9-3/16	6-15/16	11-7/16	11-7/16	18-3/8	5-3/16	8.74
3976-060	6	4-15/16	11-9/16	12-5/8	8-3/16	14-13/16	15-7/8	23	7-1/2	20.36
3976-080	8	5-1/16	13-11/16	15-7/8	9-5/16	17-15/16	20-1/8	27-1/4	9-5/8	36.94

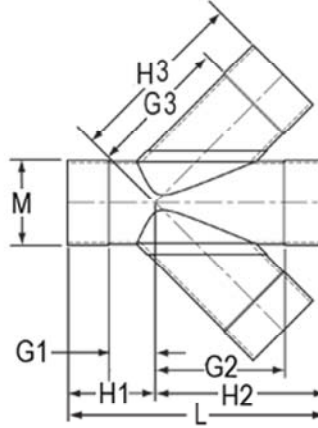
Fabricated Fittings Technical
PVC Schedule 40 & 80 DWV Fabricated Fittings



Double Wye SCH 80

(Continued)

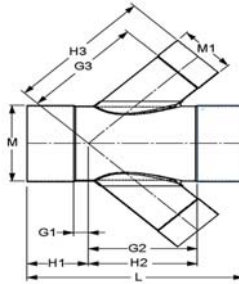
Socket x Socket x Socket x Socket



Part Number	Size	G1	G2	G3	H1	H2	H3	L	M	Approx. Wt. (Lbs.)
3976-100	10	6-1/2	17-1/4	18-7/8	11-3/4	22-1/2	24-1/8	34-1/4	11-15/16	65.46
3976-120	12	7-1/8	19-7/8	21-13/16	13-3/8	26-1/8	28-1/16	39-1/2	14-1/8	115.90
3976-140	14	9-13/16	23-13/16	23-13/16	16-13/16	30-13/16	30-13/16	47-5/8	15-1/2	158.39
3976-160	16	10-1/8	26-1/8	26-1/8	18-1/8	34-1/8	34-1/8	52-1/4	17-11/16	212.20
3976-180	18	10	28	29-3/8	19	37	38-3/8	56	19-7/8	321.46
3976-200	20	11-5/8	31-5/8	31-5/8	21-5/8	41-5/8	41-5/8	63-1/4	22-1/16	557.54
3976-240	24	14-1/4	38-1/4	38-1/4	26-1/4	50-1/4	50-1/4	76-1/2	26-7/16	878.35

Double Wye SCH 80- Reducing

Socket X Socket X Socket X Socket



Part Number	Size	G1	G2	G3	H1	H2	H3	L	M	M1	Approx. Wt. (Lbs.)
3976-420	4X2	2-1/4	6-3/4	7-13/16	4-1/2	9	9-9/16	13-1/2	5-3/16	2-13/16	4.78
3976-422	4X3	4-13/16	9-5/16	9	7-1/16	11-9/16	10-15/16	18-5/8	5-1/4	4-3/16	9.25
3976-530	6X3	2-15/16	9-9/16	10-5/16	6-3/16	12-13/16	12-9/16	19	7-1/2	4-1/8	12.28
3976-532	6X4	3-15/16	10-9/16	10-9/16	7-3/16	13-13/16	12-13/16	21	7-1/2	5-3/16	14.37
3976-578	8X2	7/8	9-1/2	10-1/2	5-1/8	13-3/4	12-1/4	18-7/8	9-5/8	2-13/16	15.51
3976-580	8X3	1-15/16	10-9/16	11-5/8	6-3/16	14-13/16	13-7/8	21	9-5/8	4-1/8	18.55
3976-582	8X4	2-15/16	11-9/16	11-7/8	7-3/16	15-13/16	14-1/8	23	9-5/8	5-3/16	19.14
3976-585	8X6	4-15/16	13-9/16	13-15/16	9-3/16	17-13/16	17-3/16	27	9-5/8	7-1/2	28.76
3976-621	10X2	1/4	10-1/2	11-7/8	5	15-3/4	13-5/8	20-3/4	11-15/16	2-13/16	23.94
3976-623	10X3	3/4	11-1/2	13	6	16-3/4	15-1/4	22-3/4	11-15/16	4-1/8	27.46
3976-624	10X4	1-3/4	12-1/2	13-1/4	7	17-3/4	15-1/2	24-3/4	11-15/16	5-3/16	31.48
3976-626	10X6	3-3/4	14-1/2	15-5/16	9	19-3/4	18-9/16	28-3/4	11-15/16	7-1/2	40.81
3976-628	10X8	5-1/4	16	17-1/4	10-1/2	21-1/4	21-1/2	31-3/4	11-15/16	9-5/8	48.52
3976-661	12X2	1-5/16	11-7/16	13-3/16	4-15/16	17-11/16	14-15/16	22-5/8	14-1/8	2-13/16	36.07
3976-663	12X3	1/8	12-7/8	14-5/16	6-3/8	19-1/8	16-9/16	25-1/2	14-1/8	4-1/8	42.20
3976-664	12X4	5/8	13-3/8	14-9/16	6-7/8	19-5/8	16-13/16	26-1/2	14-1/8	5-3/16	41.40

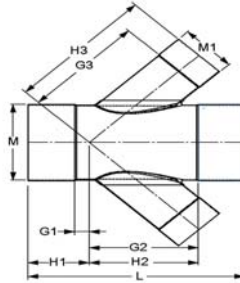


Fabricated Fittings Technical
PVC Schedule 40 & 80 DWV Fabricated Fittings

Double Wye SCH 80- Reducing

(Continued)

Socket X Socket X Socket X Socket



Part Number	Size	G1	G2	G3	H1	H2	H3	L	M	M1	Approx. Wt. (Lbs.)
3976-666	12X6	2-5/8	15-3/8	16-5/8	8-7/8	21-5/8	19-7/8	30-1/2	14-1/8	7-1/2	54.02
3976-668	12X8	4-1/4	17	18-9/16	10-1/2	23-1/4	22-13/16	33-3/4	14-1/8	9-5/8	64.52
3976-670	12X10	5-3/4	18-1/2	20-3/16	12	24-3/4	25-7/16	36-3/4	14-1/8	11-15/16	93.11
3976-691	14X2	1/4	13-3/4	13-15/16	6-3/4	20-3/4	15-11/16	27-1/2	15-1/2	2-13/16	49.16
3976-693	14X3	1/2	14-1/2	15-1/16	7-1/2	21-1/2	17-5/16	29	15-1/2	4-1/8	54.08
3976-694	14X4	1-5/16	15-3/16	15-5/16	8-5/16	22-3/16	17-9/16	30-1/2	15-1/2	5-3/16	57.53
3976-696	14X6	2	16	17-3/8	9	23	20-5/8	32	15-1/2	7-1/2	67.78
3976-698	14X8	4-1/4	18-1/4	19-5/16	11-1/4	25-1/4	23-9/16	36-1/2	15-1/2	9-5/8	84.71
3976-700	14X10	5-3/4	19-3/4	20-15/16	12-3/4	26-3/4	26-3/16	39-1/2	15-1/2	11-15/16	101.51
3976-702	14X12	7-1/4	21-1/4	22-9/16	14-1/4	28-1/4	28-13/16	42-1/2	15-1/2	14-1/8	133.43
3976-751	16X2	7/8	15-1/8	15-1/4	7-1/8	23-1/8	17	30-1/4	17-11/16	2-13/16	69.15
3976-753	16X3	1/8	15-7/8	16-3/8	7-7/8	23-7/8	18-5/8	31-3/4	17-11/16	4-1/8	75.01
3976-754	16X4	1-1/8	17-1/8	16-5/8	9-1/8	25-1/8	18-7/8	34-1/4	17-11/16	5-3/16	81.05
3976-756	16X6	1-5/8	17-5/8	18-11/16	9-5/8	25-5/8	21-15/16	35-1/4	17-11/16	7-1/2	90.12
3976-758	16X8	3-5/8	19-5/8	20-5/8	11-5/8	27-5/8	24-7/8	39-1/4	17-11/16	9-5/8	111.05
3976-760	16X10	5-1/8	21-1/8	22-1/4	13-1/8	29-1/8	27-1/2	42-1/4	17-11/16	11-15/16	131.34
3976-762	16X12	6-1/2	22-1/2	23-7/8	14-1/2	30-1/2	30-1/8	45	17-11/16	14-1/8	160.48
3976-764	16X14	7-7/8	23-7/8	25-1/8	15-7/8	31-7/8	32-1/8	47-3/4	17-11/16	15-1/2	181.89
3976-784	18X4	0	18	17-7/8	9	27	20-1/8	36	19-7/8	5-3/16	126.78
3976-786	18X6	3/8	18-9/16	20-1/8	9-3/8	27-9/16	23-3/8	36-15/16	19-7/8	7-1/2	120.70
3976-788	18X8	3	21	21-7/8	12	30	26-1/8	42	19-7/8	9-5/8	145.00
3976-790	18X10	4-1/2	22-1/2	23-1/2	13-1/2	31-1/2	28-3/4	45	19-7/8	11-15/16	169.44
3976-792	18X12	6	24	25-1/8	15	33	31-3/8	48	19-7/8	14-1/8	200.60
3976-794	18X14	7	25	26-3/8	16	34	33-3/8	50	19-7/8	15-1/2	221.25
3976-796	18X16	8-1/2	26-1/2	27-3/8	17-1/2	35-1/2	35-3/8	53	19-7/8	17-11/16	263.98
3976-814	20X4	1	19	19-3/16	9	29	21-7/16	38	22-1/16	5-3/16	144.74
3976-816	20X6	1/8	19-7/8	21-1/4	9-7/8	29-7/8	24-1/2	39-3/4	22-1/16	7-1/2	155.34
3976-818	20X8	2-5/8	22-5/8	23-3/16	12-5/8	32-5/8	27-7/16	45-1/4	22-1/16	9-5/8	186.19
3976-820	20X10	4-1/8	24-1/8	24-13/16	14-1/8	34-1/8	30-1/16	48-1/4	22-1/16	11-15/16	212.51
3976-822	20X12	5-5/8	25-5/8	26-7/16	15-5/8	35-5/8	32-11/16	51-1/4	22-1/16	14-1/8	245.54
3976-824	20X14	7-1/8	27-1/8	27-11/16	17-1/8	37-1/8	34-11/16	54-1/4	22-1/16	15-1/2	270.86
3976-826	20X16	8-1/2	28-1/2	28-11/16	18-1/2	38-1/2	36-11/16	57	22-1/16	17-11/16	315.47
3976-828	20X18	10-1/8	30-1/8	30-11/16	20-1/8	40-1/8	39-11/16	60-1/4	22-1/16	19-7/8	374.82
3976-904	24X4	3	21	21-3/4	9	33	24	42	26-7/16	5-3/16	206.27
3976-906	24X6	7/8	23-1/8	23-13/16	11-1/8	35-1/8	27-1/16	46-1/4	26-7/16	7-1/2	254.32
3976-908	24X8	1-3/4	25-3/4	25-3/4	13-3/4	37-3/4	30	51-1/2	26-7/16	9-5/8	282.55
3976-910	24X10	3-1/4	27-1/4	27-3/8	15-1/4	39-1/4	32-5/8	54-1/2	26-7/16	11-15/16	319.52
3976-912	24X12	4-3/4	28-3/4	29	16-3/4	40-3/4	35-1/4	57-1/2	26-7/16	14-1/8	356.86
3976-914	24X14	6-1/4	30-1/4	30-1/4	18-1/4	42-1/4	37-1/4	60-1/2	26-7/16	15-1/2	381.62

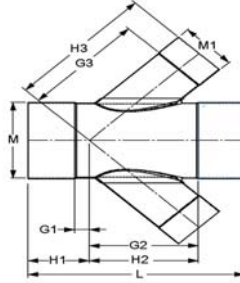
Fabricated Fittings Technical
PVC Schedule 40 & 80 DWV Fabricated Fittings



Double Wye SCH 80- Reducing

(Continued)

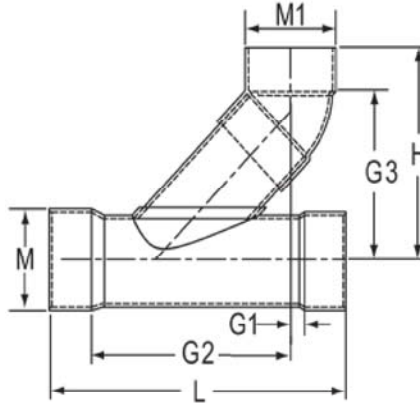
Socket X Socket X Socket X Socket



Part Number	Size	G1	G2	G3	H1	H2	H3	L	M	M1	Approx. Wt. (Lbs.)
3976-916	24X16	7-3/4	31-3/4	31-1/4	19-3/4	43-3/4	39-1/4	63-1/2	26-7/16	17-11/16	430.52
3976-918	24X18	9-1/4	33-1/4	33-1/4	21-1/4	45-1/4	42-1/4	66-1/2	26-7/16	19-7/8	499.02
3976-920	24X20	9-5/8	33-5/8	34-3/16	21-5/8	45-5/8	44-3/16	67-1/4	26-7/16	22-1/16	490.66

Combo Wye SCH 40

Socket x Socket x Socket



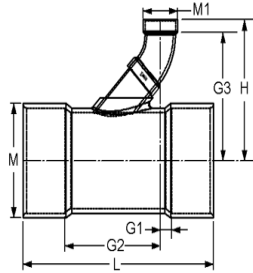
Part Number	Size	G1	G2	G3	H	L	M	M1	Approx. Wt. (Lbs.)
3777-060	6	13/16	15-9/16	12-11/16	15-3/4	22-7/8	7-3/16	7-1/4	13.10
3777-080	8	3/16	19-3/4	16-1/8	20-1/8	28-7/16	9-1/4	9-3/8	24.05
3777-100	10	1/16	23-3/4	19-13/16	24-7/8	34-5/16	11-1/2	12-1/16	50.22
3777-120	12	1/2	27-7/8	23-5/8	29-3/4	39-7/8	13-9/16	14-1/4	79.95
3777-140	14	1-1/4	29-5/8	29-5/16	36-5/16	42-3/8	14-7/8	14-7/8	79.27
3777-160	16	7/8	34-3/8	33	41	49-1/2	17	17	120.03
3777-180	18	1-3/8	38-1/4	36-9/16	45-9/16	54-7/8	19-1/8	19-1/8	169.38
3777-200	20	1-13/16	43-9/16	41-7/16	51-7/16	61-3/4	21-3/16	21-3/16	210.35
3777-240	24	4-5/16	50-5/16	50-5/16	62-5/16	70	25-3/8	25-3/8	359.69



Fabricated Fittings Technical
PVC Schedule 40 & 80 DWV Fabricated Fittings

Combo Wye SCH 40-Reducing

Socket X Socket X Socket



Part Number	Size	G1	G2	G3	H	L	M	M1	Approx. Wt. (Lbs.)
3777-528	6X2	5/8	7-3/4	8-5/16	9-1/16	14-7/8	7-3/16	2-3/4	5.21
3777-530	6X3	3/8	9-7/8	9-3/4	11-5/16	16-3/4	7-3/16	4	6.91
3777-532	6X4	1/16	11-11/16	11-5/16	13-1/16	18-1/4	7-3/16	5-1/16	8.10
3777-578	8X2	1-3/8	8-3/8	9-1/4	10-1/16	18-1/4	9-1/4	2-3/4	9.18
3777-580	8X3	15/16	10-5/16	10-11/16	12-1/4	19-3/4	9-1/4	4	10.57
3777-582	8X4	9/16	12-3/16	12-1/4	14-1/16	21-1/4	9-1/4	5-1/16	12.63
3777-585	8X6	7/16	15-3/16	13-11/16	16-11/16	24-1/8	9-1/4	7-1/4	16.74
3777-621	10X2	1-3/8	8-3/8	10-5/16	11-1/16	20-1/4	11-1/2	2-3/4	14.05
3777-623	10X3	1-1/4	10-7/16	11-3/4	13-5/16	22-1/4	11-1/2	4	16.71
3777-624	10X4	1-1/16	12-9/16	13-1/4	15-1/16	24-1/8	11-1/2	5-1/16	18.10
3777-626	10X6	1-9/16	16-3/16	14-11/16	17-11/16	28-1/4	11-1/2	7-1/4	24.25
3777-628	10X8	3/4	20-1/4	17-1/8	21-3/16	31-1/2	11-1/2	9-3/8	31.59
3777-661	12X2	1-13/16	8-11/16	11-1/4	12	23	13-9/16	2-3/4	20.00
3777-663	12X3	1-3/8	10-5/8	12-11/16	14-1/4	24-1/2	13-9/16	4	22.79
3777-664	12X4	1-1/16	12-7/16	14-1/4	16	26	13-9/16	5-1/16	25.03
3777-666	12X6	1-1/2	16	15-5/8	18-11/16	30	13-9/16	7-1/4	31.77
3777-668	12X8	9/16	19-15/16	18-1/8	22-1/8	33	13-9/16	9-3/8	39.66
3777-670	12X10	1/16	23-9/16	20-3/4	25-7/8	36	13-9/16	12-1/16	59.03
3777-691	14X2	1-5/8	8-3/8	11-13/16	12-5/8	24	14-7/8	2-3/4	26.48
3777-693	14X3	1-11/16	10-13/16	13-5/16	14-13/16	26-1/2	14-7/8	4	30.56
3777-694	14X4	1-5/16	12-11/16	14-13/16	16-5/8	28	14-7/8	5-1/16	32.77
3777-696	14X6	1-1/4	15-3/4	16-1/4	19-1/4	31	14-7/8	7-1/4	37.18
3777-698	14X8	5/16	19-11/16	18-11/16	22-3/4	34	14-7/8	9-3/8	48.58
3777-700	14X10	1/4	23-1/4	21-3/8	26-7/16	37	14-7/8	12-1/16	65.41
3777-702	14X12	1/8	28-1/8	24-1/4	30-5/16	42	14-7/8	14-1/14	89.86
3777-751	16X2	2-11/16	9-5/16	12-3/4	13-9/16	28	17	2-3/4	39.97
3777-753	16X3	2-3/8	11-3/8	14-1/4	15-3/4	29-3/4	17	4	41.29
3777-754	16X4	1-7/8	13-1/8	15-3/4	17-9/16	31	17	5-1/16	46.25
3777-756	16X6	2-11/16	17-1/16	17-3/16	20-3/16	35-3/4	17	7-1/4	53.66
3777-758	16X8	7/8	20-1/8	19-5/8	23-11/16	37	17	9-3/8	60.55
3777-760	16X10	5/16	23-11/16	22-5/16	27-3/8	40	17	12-1/16	82.59
3777-762	16X12	9/16	27-9/16	25-3/16	31-1/4	43	17	14-1/4	104.84
3777-764	16X14	1	28-3/4	30-1/4	37-1/4	44-3/4	17	14-7/8	97.68
3777-784	18X4	2-5/16	13-7/16	16-11/16	18-1/2	33-3/4	19-1/8	5-1/16	61.52
3777-786	18X6	2-3/4	17	18-1/8	21-1/8	37-3/4	19-1/8	7-1/4	72.94
3777-788	18X8	1-13/16	20-15/16	20-9/16	24-5/8	40-3/4	19-1/8	9-3/8	79.95
3777-790	18X10	3/4	24	23-1/4	228-5/16	42-3/4	19-1/8	12-1/16	97.68
3777-792	18X12	1/8	27-7/8	26-1/8	32-3/16	45-3/4	19-1/8	14-1/14	124.33
3777-794	18X14	15/16	28-3/4	31-3/16	38-3/16	46-3/4	19-1/8	14-7/8	117.29

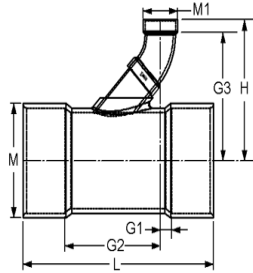
Fabricated Fittings Technical
PVC Schedule 40 & 80 DWV Fabricated Fittings



Combo Wye SCH 40-Reducing

(Continued)

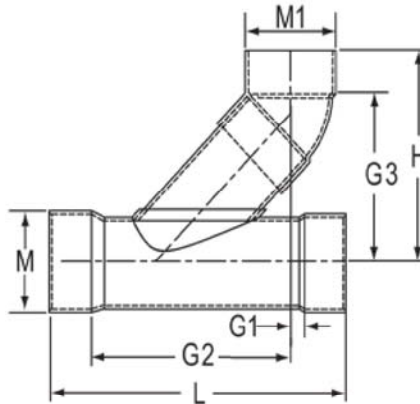
Socket X Socket X Socket



Part Number	Size	G1	G2	G3	H	L	M	M1	Approx. Wt. (Lbs.)
3777-796	18X16	11/16	33-3/4	33-15/16	41-15/16	51-3/4	19-1/8	17	143.28
3777-814	20X4	2-7/8	13-7/8	17-11/16	19-7/16	36-3/4	21-3/16	5-1/16	79.23
3777-816	20X6	2-13/16	16-15/16	19-1/16	22-1/8	39-3/4	21-3/16	7-1/4	94.49
3777-818	20X8	1-7/8	20-7/8	21-9/16	25-9/16	42-3/4	21-3/16	9-3/8	106.82
3777-820	20X10	3/4	24	24-3/16	29-5/16	44-3/4	21-3/16	12-1/16	122.57
3777-822	20X12	3/8	28-3/8	27-1/16	33-3/16	48-3/4	21-3/16	14-1/4	140.30
3777-824	20X14	3/8	29-3/4	32-1/8	39-1/8	49-3/4	21-3/16	14-7/8	154.95
3777-826	20X16	1-1/8	32-3/4	34-7/8	42-7/8	52-3/4	21-3/16	17	165.00
3777-828	20X18	1-7/8	35-3/4	37-1/2	46-1/2	55-3/4	21-3/16	19-1/8	198.75
3777-904	24X4	3-11/16	14-9/16	19-9/16	21-3/8	42-1/4	25-3/8	5-1/16	123.59
3777-906	24X6	3-3/4	17-3/4	21	24	45-1/2	25-3/8	7-1/4	135.33
3777-908	24X8	2-13/16	21-11/16	23-7/16	27-1/2	48-1/2	25-3/8	9-3/8	144.36
3777-910	24X10	1-7/8	24-7/8	26-1/8	31-3/16	50-3/4	25-3/8	12-1/16	174.11
3777-912	24X12	1-3/8	29-1/8	29	35-1/16	54-1/2	25-3/8	14-1/4	197.57
3777-914	24X14	13/16	31-3/16	34-1/16	41-1/16	56	25-3/8	14-7/8	199.31
3777-916	24X16	15/16	35-13/16	36-13/16	44-13/16	60-3/4	25-3/8	17	224.00
3777-918	24X18	3/16	39-9/16	39-7/16	48-7/16	63-3/4	25-3/8	19-1/8	273.41
3777-920	24X20	7/8	42-1/4	43-3/8	53-3/8	66-1/4	25-3/8	21-3/16	319.38

Combo Wye SCH 80

Socket x Socket x Socket



Part Number	Size	G1	G2	G3	H	L	M	M1	Approx. Wt. (Lbs.)
3977-020	2	13/16	3-7/8	4-5/8	6-1/8	6-7/8	2-7/8	2-7/8	1.69
3977-030	3	7/8	5-3/4	6-1/2	8-3/8	9-9/16	4-3/16	4-3/16	4.18
3977-040	4	7/8	13	9-3/8	11-5/8	18-3/8	5-3/16	5-1/4	7.92
3977-060	6	11/16	15-13/16	12-5/8	15-11/16	23	7-1/2	7-5/8	20.48
3977-080	8	7/16	19-3/16	16-1/8	20-1/8	27-1/4	9-5/8	9-3/4	37.52

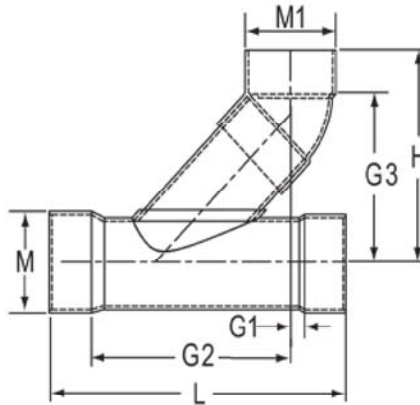


Fabricated Fittings Technical
PVC Schedule 40 & 80 DWV Fabricated Fittings

Combo Wye SCH 80

(Continued)

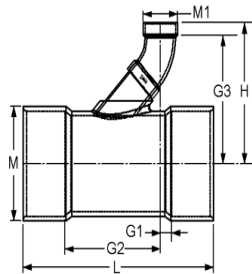
Socket x Socket x Socket



Part Number	Size	G1	G2	G3	H	L	M	M1	Approx. Wt. (Lbs.)
3977-100	10	1/4	23-1/2	19-9/16	24-11/16	34-1/4	11-15/16	12-1/16	71.45
3977-120	12	5/16	27-5/16	23-1/4	29-3/8	39-1/2	14-1/8	14-1/4	117.07
3977-140	14	2-1/2	31-1/8	28-9/16	35-9/16	47-5/8	15-1/2	15-1/2	141.89
3977-160	16	1-11/16	34-9/16	32-3/16	40-3/16	52-1/4	17-11/16	17-11/16	205.00
3977-180	18	1/2	37-1/2	35-7/8	44-7/8	56	19-7/8	19-7/8	290.71
3977-200	20	1	42-1/4	39-9/16	49-9/16	63-1/4	22-1/16	22-1/16	400.20
3977-240	24	1-7/16	51-1/16	47-3/8	59-3/8	76-1/2	26-7/16	26-7/16	776.44

Combo Wye SCH 80- Reducing

Socket X Socket X Socket



Part Number	Size	G1	G2	G3	H	L	M	M1	Approx. Wt. (Lbs.)
3977-528	6X2	1-9/16	8-15/16	7-5/8	9-1/8	17	7-1/2	2-7/8	9.20
3977-530	6X3	1-5/16	11-3/16	9-3/16	11-1/16	19	7-1/2	4-3/16	10.90
3977-532	6X4	1-1/4	13-1/4	10-3/8	12-5/8	21	7-1/2	5-1/4	13.32
3977-578	8X2	1-9/16	8-13/16	8-9/16	10-1/16	18-7/8	9-5/8	2-7/8	14.98
3977-580	8X3	1-5/16	11-3/16	10-1/8	12	21	9-5/8	4-3/16	16.93
3977-582	8X4	1-5/16	13-3/16	11-1/4	13-9/16	23	9-5/8	5-1/4	19.05
3977-585	8X6	1-3/4	16-3/4	13-9/16	16-9/16	27	9-5/8	7-5/8	27.31
3977-621	10X2	1-5/8	8-5/8	9-1/2	11-1/16	20-3/4	11-15/16	2-7/8	23.57
3977-623	10X3	1-5/16	10-15/16	11-1/16	13	22-3/4	11-15/16	4-3/16	26.94
3977-624	10X4	1-5/16	12-15/16	12-1/4	14-1/2	24-3/4	11-15/16	5-1/4	30.52
3977-626	10X6	1-3/4	16-1/2	14-1/2	17-9/16	28-3/4	11-15/16	7-5/8	39.22
3977-628	10X8	15/16	20-5/16	17-1/16	21-1/8	31-3/4	11-15/16	9-3/4	51.92
3977-661	12X2	1-5/8	8-1/2	10-7/16	11-15/16	22-5/8	14-1/8	2-7/8	35.71
3977-663	12X3	1-3/4	11-1/4	12	13-7/8	25-1/2	14-1/8	4-3/16	41.04
3977-664	12X4	1-1/4	12-3/4	13-1/8	15-7/16	26-1/2	14-1/8	5-1/4	45.15
3977-666	12X6	1-11/16	16-5/16	15-7/16	18-7/16	30-1/2	14-1/8	7-5/8	51.10

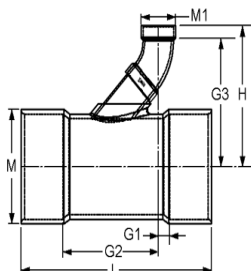
Fabricated Fittings Technical
PVC Schedule 40 & 80 DWV Fabricated Fittings



Combo Wye SCH 80- Reducing

Socket X Socket X Socket

(Continued)



Part Number	Size	G1	G2	G3	H	L	M	M1	Approx. Wt. (Lbs.)
3977-668	12X8	1	20-1/4	18	22	33-3/4	14-1/8	9-3/4	65.30
3977-670	12X10	5/8	23-5/8	20-1/2	25-9/16	36-3/4	14-1/8	12-1/16	82.59
3977-691	14X2	3-3/8	10-1/8	11	12-1/2	27-1/2	15-1/2	2-7/8	48.63
3977-693	14X3	2-13/16	12-3/16	12-9/16	14-7/16	29	15-1/2	4-3/16	53.40
3977-694	14X4	2-9/16	13-15/16	13-11/16	16	30-1/2	15-1/2	5-1/4	56.45
3977-696	14X6	1-3/4	16-1/4	16	19	32	15-1/2	7-5/8	62.00
3977-698	14X8	1-11/16	20-13/16	18-9/16	22-9/16	36-1/2	15-1/2	9-3/4	80.67
3977-700	14X10	1-5/16	24-3/16	21-1/16	26-1/8	39-1/2	15-1/2	12-1/16	102.06
3977-702	14X12	1/2	28	23-13/16	29-15/16	42-1/2	15-1/2	14-1/4	131.20
3977-751	16X2	3-7/8	10-3/8	11-7/8	13-7/16	30-1/4	17-11/16	2-7/8	68.62
3977-753	16X3	3-5/16	12-7/16	13-7/16	15-3/8	31-3/4	17-11/16	4-3/16	70.26
3977-754	16X4	3-9/16	14-11/16	14-5/8	16-7/8	34-1/4	17-11/16	5-1/4	80.61
3977-756	16X6	2-1/2	16-3/4	16-7/8	19-15/16	35-1/4	17-11/16	7-5/8	88.52
3977-758	16X8	2-3/16	21-1/16	19-7/16	23-1/2	39-1/4	17-11/16	9-3/4	105.55
3977-760	16X10	1-3/4	24-1/2	21-15/16	27-1/16	42-1/4	17-11/16	12-1/16	126.67
3977-762	16X12	7/8	28-1/8	24-3/4	30-13/16	45	17-11/16	14-1/4	146.43
3977-764	16X14	1-5/8	30-1/8	29-7/16	36-7/16	47-3/4	17-11/16	15-1/2	159.03
3977-784	18X4	3-1/2	14-1/2	15-1/2	17-13/16	36	19-7/8	5-1/4	110.11
3977-786	18X6	2-3/8	16-1/2	17-7/8	20-15/16	36-15/16	19-7/8	7-5/8	119.16
3977-788	18X8	2-5/8	21-3/8	20-3/8	24-3/8	42	19-7/8	9-3/4	142.38
3977-790	18X10	2-1/4	24-3/4	22-7/8	27-15/16	45	19-7/8	12-1/16	160.27
3977-792	18X12	1-7/16	28-9/16	25-5/8	31-3/4	48	19-7/8	14-1/4	187.24
3977-794	18X14	1-7/8	30-1/8	30-3/8	37-3/8	50	19-7/8	15-1/2	206.40
3977-796	18X16	1-3/16	33-13/16	33-1/8	41-1/8	53	19-7/8	17-11/16	242.78
3977-814	20X4	3-5/8	14-3/8	16-7/16	18-11/16	38	22-1/16	5-1/4	144.13
3977-816	20X6	2-15/16	16-7/8	18-11/16	21-3/4	39-3/4	22-1/16	7-5/8	153.80
3977-818	20X8	3-3/8	21-7/8	21-1/4	25-5/16	45-1/4	22-1/16	9-3/4	183.58
3977-820	20X10	2-15/16	25-5/16	23-3/4	28-7/8	48-1/4	22-1/16	12-1/16	208.86
3977-822	20X12	2-3/16	29-1/16	26-9/16	32-5/8	51-1/4	22-1/16	14-1/4	243.31
3977-824	20X14	3-1/16	31-3/16	31-1/4	38-1/4	54-1/4	22-1/16	15-1/2	256.01
3977-826	20X16	2-1/4	34-3/4	34	42	57	22-1/16	17-11/16	294.27
3977-828	20X18	1-11/16	38-9/16	36-13/16	45-13/16	60-1/4	22-1/16	19-7/8	346.87
3977-904	24X4	3-3/16	14-3/16	18-1/4	20-1/2	42	26-7/16	5-1/4	222.26
3977-906	24X6	4-5/16	17-7/8	20-1/2	23-9/16	46-1/4	26-7/16	7-5/8	247.92
3977-908	24X8	4-11/16	22-13/16	23-1/16	27-1/8	51-1/2	26-7/16	9-3/4	286.29
3977-910	24X10	4-1/4	26-1/4	25-9/16	30-11/16	54-1/2	26-7/16	12-1/16	315.87
3977-912	24X12	3-1/2	30	28-3/8	34-7/16	57-1/2	26-7/16	14-1/4	351.73
3977-914	24X14	4-3/8	32-1/8	33-1/16	40-1/16	60-1/2	26-7/16	15-1/2	366.77
3977-916	24X16	3-11/16	35-13/16	35-13/16	43-13/16	63-1/2	26-7/16	17-11/16	409.32

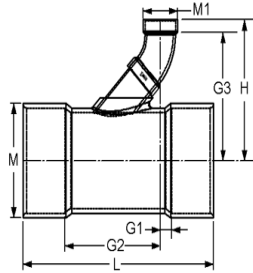


Fabricated Fittings Technical
PVC Schedule 40 & 80 DWV Fabricated Fittings

Combo Wye SCH 80- Reducing

(Continued)

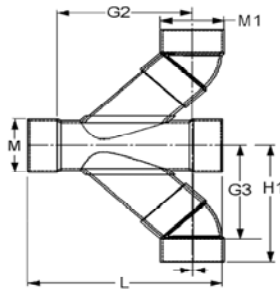
Socket X Socket X Socket



Part Number	Size	G1	G2	G3	H	L	M	M1	Approx. Wt. (Lbs.)
3977-918	24X18	3	39-1/2	38-5/8	47-5/8	66-1/2	26-7/16	19-7/8	471.07
3977-920	24X20	1-3/16	42-1/16	41-3/8	51-3/8	67-1/4	26-7/16	22-1/16	514.13

Double Combo Wye- SCH 40

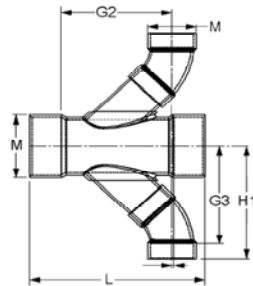
Socket X Socket X Socket X Socket



Part Number	Size	G1	G2	G3	H1	L	M	M1	Approx. Wt. (Lbs.)
3792-060	6	13/16	15-9/16	12-11/16	15-3/4	22-7/8	7-3/16	7-1/4	19.47
3792-080	8	3/16	19-3/4	16- 1/8	20-1/8	28-7/16	9-1/4	9-3/8	35.35
3792-100	10	1/16	23-3/4	19-13/16	24-7/8	34-5/16	11-1/2	12-1/16	79.29
3792-120	12	1/2	27-7/8	23-5/8	29-3/4	39-7/8	13-9/16	14-1/4	124.00
3792-140	14	1- 1/4	29- 5/8	29- 5/16	36-5/16	42-3/8	14-7/8	14-7/8	122.54

Double Combo Wye- SCH 40- Reducing

Socket X Socket X Socket X Socket



Part Number	Size	G1	G2	G3	H1	L	M	M1	Approx. Wt. (Lbs.)
3792-528	6X2	5/8	7-3/4	8-5/16	9-1/16	14-7/8	7-3/16	2-3/4	5.28
3792-530	6X3	3/8	9-7/8	9-3/4	11-5/16	16-3/4	7-3/16	4	8.19
3792-532	6X4	1/16	11-11/16	11-5/16	13-1/16	18-1/4	7-3/16	5-1/16	10.46
3792-578	8X2	1-3/8	8-3/8	9-1/4	10-1/16	18-1/4	9-1/4	2-3/4	10.97
3792-580	8X3	15/16	10-5/16	10-11/16	12-1/4	19-3/4	9-1/4	4	11.71
3792-582	8X4	9/16	12-3/16	12-1/4	14-1/16	21-1/4	9-1/4	5-1/16	15.13
3792-585	8X6	7/16	15-3/16	13-11/16	16-11/16	24-1/8	9-1/4	7-1/4	22.62
3792-621	10X2	1-3/8	8-3/8	10-5/16	11-1/16	20-1/4	11-1/2	2-3/4	14.86
3792-623	10X3	1-1/4	10-7/16	11-3/4	13-5/16	22-1/4	11-1/2	4	17.41

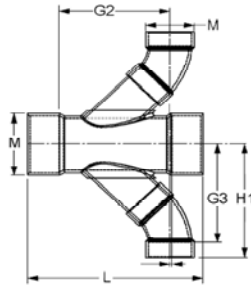
Fabricated Fittings Technical
PVC Schedule 40 & 80 DWV Fabricated Fittings



Double Combo Wye- SCH 40- Reducing

(Continued)

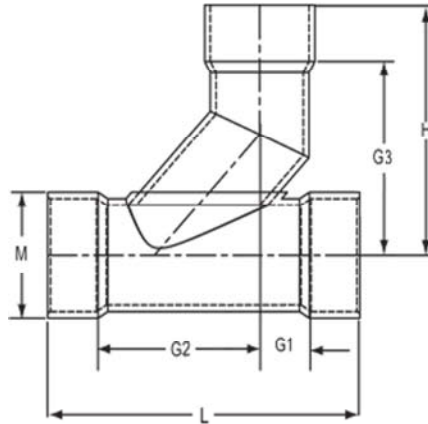
Socket X Socket X Socket X Socket



Part Number	Size	G1	G2	G3	H1	L	M	M1	Approx. Wt. (Lbs.)
3792-624	10X4	1-1/16	12-9/16	13-1/4	15-1/16	24-1/8	11-1/2	5-1/16	21.14
3792-626	10X6	1-9/16	16-3/16	14-11/16	17-11/16	28-1/4	11-1/2	7-1/4	29.38
3792-628	10X8	3/4	20- 1/4	17-1/8	21-3/16	31-1/2	11-1/2	9-3/8	44.69
3792-661	12X2	1-13/16	8-11/16	11-1/4	12	23	13-9/16	2-3/4	20.00
3792-663	12X3	1-3/8	10-5/8	12-11/16	14-1/4	24-1/2	13-9/16	4	24.00
3792-664	12X4	1-1/16	12-7/16	14-1/4	16	26	13-9/16	5-1/16	27.51
3792-666	12X6	1-1/2	16	15-5/8	18-11/16	30	13-9/16	7-1/4	36.56
3792-668	12X8	9/16	19-15/16	18- 1/8	22-1/8	33	13-9/16	9-3/8	50.74
3792-670	12X10	1/16	23-9/16	20-3/4	25-7/8	36	13-9/16	12-1/16	88.32
3792-691	14X2	1-5/8	8-3/8	11-13/16	12-5/8	24	14-7/8	2-3/4	27.01
3792-693	14X3	1-11/16	10-13/16	13-5/16	14-13/16	26-1/2	14-7/8	4	32.05
3792-694	14X4	1-5/16	12-11/16	14-13/16	16-5/8	28	14-7/8	5-1/16	35.25
3792-696	14X6	1-1/4	15-3/4	16-1/4	19-1/4	31	14-7/8	7-1/4	44.79
3792-698	14X8	5/16	19-11/16	18-11/16	22-3/4	34	14-7/8	9-3/8	60.31
3792-700	14X10	1/4	23-1/4	21-3/8	27-7/16	37	14-7/8	12-1/16	95.64
3792-702	14X12	1/8	28-1/8	24-1/4	30-5/16	42	14-7/8	14-1/4	137.91

Sanitary Tee SCH 40

Socket x Socket x Socket



Part Number	Size	G1	G2	G3	H	L	M	Approx. Wt. (Lbs.)
3790-060	6	4-3/16	12-3/16	11-15/16	15-3/16	22-7/8	7-3/16	10.41
3790-080	8	4-5/8	15-5/16	15-3/16	19-7/16	28-7/16	9-1/4	21.24
3790-100	10	6-9/16	17-1/4	19-1/8	24-3/8	34-5/16	11-1/2	37.03
3790-120	12	5-5/8	21-3/4	21-13/16	28-1/16	39-7/8	13-9/16	58.37
3790-140	14	5-5/16	23-1/16	22-3/4	29-3/4	42-3/8	14-7/8	71.47
3790-160	16	6-5/8	26-7/8	25-1/2	33-1/2	49-1/2	17	105.59
3790-180	18	7-1/16	29-13/16	28-1/16	37-1/16	54-7/8	19-1/8	151.87