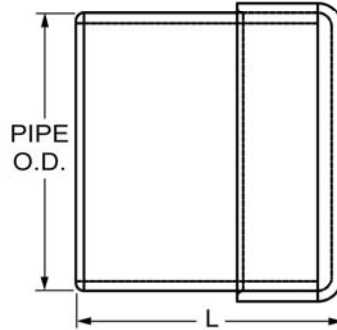




**Fabricated Fittings Technical**  
**PVC Schedule 40 & 80 DWV Fabricated Fittings**

**Spigot Plug SCH 40**

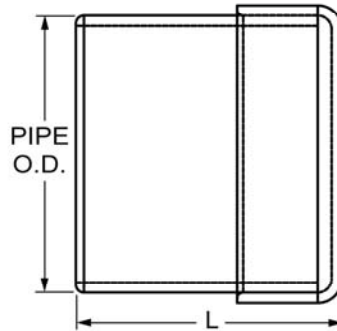
Spigot



Part Number	Size	L	Approx. Wt. (Lbs.)
<a href="#">3749-060</a>	6	7-1/4	3.48
<a href="#">3749-080</a>	8	8-1/4	5.96
<a href="#">3749-100</a>	10	9-3/4	10.13
<a href="#">3749-120</a>	12	11-1/8	16.54
<a href="#">3749-140</a>	14	13-3/4	21.56
<a href="#">3749-160</a>	16	14-1/2	30.78

**Spigot Plug SCH 80**

Spigot



Part Number	Size	L	Approx. Wt. (Lbs.)
<a href="#">3949-060</a>	6	7-1/4	4.05
<a href="#">3949-080</a>	8	8-1/4	7.26
<a href="#">3949-100</a>	10	9-3/4	11.45
<a href="#">3949-120</a>	12	11-1/8	22.50
<a href="#">3949-160</a>	16	14-1/2	47.93