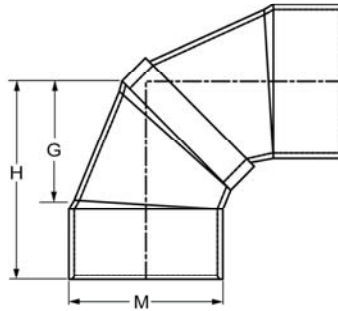


Fabricated Fittings Technical  
**PVC Schedule 40 & 80 DWV Fabricated Fittings**



**90° Elbow SCH 40**

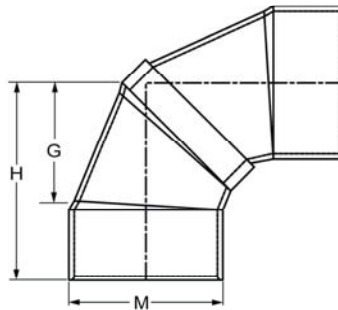
Socket x Socket



Part Number	Size	G	H	M	Approx. Wt. (Lbs.)
3706-060	6	6-5/16	9-9/16	7-3/16	5.60
3706-080	8	7-11/16	11-15/16	9-1/4	12.89
3706-100	10	9-13/16	15-1/6	11-1/2	17.51
3706-120	12	11-3/16	17-7/16	13-9/16	30.66
3706-140	14	13-3/16	20-3/16	14-7/8	41.54
3706-160	16	15-1/4	23-1/4	17	59.37
3706-180	18	17-5/16	26-5/16	19-1/8	82.00
3706-200	20	19-13/16	29-13/16	21-3/16	118.12
3706-240	24	23-7/16	35-7/16	25-3/8	172.90

**90° Elbow SCH 80**

Socket x Socket



Part Number	Size	G	H	M	Approx. Wt. (Lbs.)
3906-015	1-1/2	2-5/16	3-11/16	2-3/8	.59
3906-020	2	2-13/16	4-5/16	2-7/8	.89
3906-025	2-1/2	3-1/16	4-7/8	3-1/2	1.54
3906-030	3	3-13/16	5-11/16	4-3/16	2.46
3906-040	4	4-9/16	6-7/8	5-1/4	4.14
3906-060	6	6-7/16	9-11/16	7-1/2	10.28
3906-080	8	7-7/8	12-1/8	9-5/8	19.17
3906-100	10	10	15-1/4	11-15/16	30.83
3906-120	12	11-1/2	17-3/4	14-1/8	45.85
3906-140	14	13-1/2	20-1/2	15-1/2	63.10

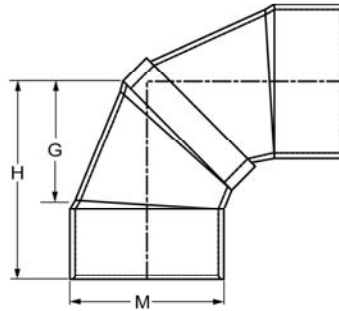


**Fabricated Fittings Technical**  
**PVC Schedule 40 & 80 DWV Fabricated Fittings**

**90° Elbow SCH 80**

(Continued)

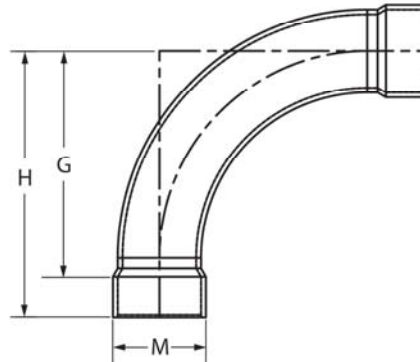
Socket x Socket



Part Number	Size	G	H	M	Approx. Wt. (Lbs.)
3906-160	16	15-9/16	23-9/16	17-11/16	103.88
3906-180	18	17-11/16	26-11/16	19-7/8	164.83
3906-200	20	19-13/16	29-13/16	22-1/16	193.41
3906-240	24	24	36	26-7/16	324.00

**90° Elbow - Long Sweep SCH 40**

Socket x Socket



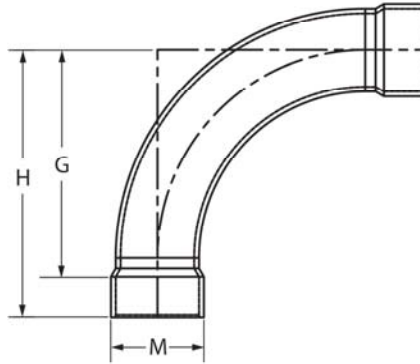
Part Number	Size	G	H	M	Approx. Wt. (Lbs.)
3706-030LSF	3	7	9	3-15/16	1.59
3706-040LSF	4	9	11-1/4	5	2.77
3706-060LSF	6	13	16-1/4	7-3/16	6.96
3706-080LSF	8	22-7/16	26-11/16	9-1/4	18.94
3706-100LSF	10	27	32-1/4	11-1/2	31.27

Fabricated Fittings Technical  
**PVC Schedule 40 & 80 DWV Fabricated Fittings**



**90° Elbow - Long Sweep**  
**SCH 80**

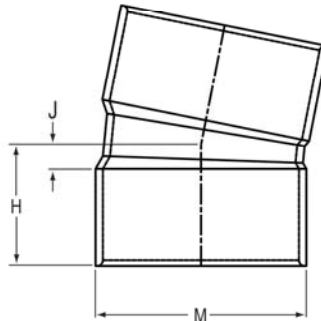
Socket x Socket



Part Number	Size	G	H	M	Approx. Wt. (Lbs.)
3906-030LSF	3	7	9	4-1/8	2.35
3906-040LSF	4	9	11-1/4	5-3/16	3.96
3906-060LSF	6	13	16-1/4	7-1/2	10.96
3906-080LSF	8	23-1/2	27-3/4	9-5/8	28.88
3906-100LSF	10	27	32-1/4	11-15/16	54.18

**11-1/4° Elbow SCH 40**

Socket x Socket



Part Number	Size	H	J	M	Approx. Wt. (Lbs.)
3711-040	4	3	3/4	5	1.39
3711-060	6	4- 1/4	1	7- 3/16	2.95
3711-080	8	5-5/16	1-1/16	9-1/4	4.84
3711-100	10	6-11/16	1-7/16	11-1/2	9.41
3711-120	12	7-13/16	1-9/16	13-9/16	14.09
3711-140	14	9	2	14-7/8	20.77
3711-160	16	10-3/8	2-3/8	16-3/4	28.88
3711-180	18	11-11/16	2-11/16	19-1/8	42.88
3711-200	20	13-1/16	3-1/16	21-3/16	55.12
3711-240	24	15-3/4	3-3/4	25-3/8	95.34